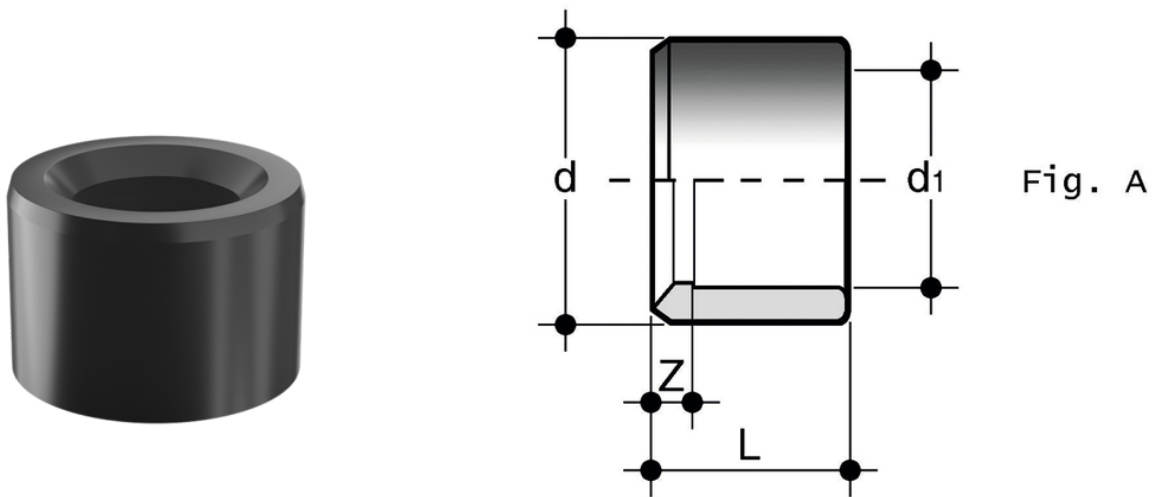


DLV Fig.A

Fittings according to British standard - reducers.

Reducing bush with solvent weld spigot (d) and solvent weld socket (d1 reduced) (fig. A).

Series of fittings for pipes conveying fluids under pressure with solvent weld and threaded joints according to British Standard.



Reference	d x d ₁	PN	Class	L	Z	g
DLV012038	1/2" x 3/8"	15	E	16,5	2	3
DLV300212	3" x 2 1/2"	15	E	50,5	7	125
DLV212200	2 1/2" x 2"	15	E	43,5	7,5	100
DLV112114	1 1/2" x 1 1/4"	15	E	31	4	20
DLV112100	1 1/2" x 1"	15	E	30	7,5	42
DLV114100	1 1/4" x 1"	15	E	27	4	19
DLV100034	1" x 3/4"	15	E	22,5	3	10
DLV100012	1" x 1/2"	15	E	22,5	6,5	18
DLV034012	3/4" x 1/2"	15	E	19,5	3	5,5
DLV400300	4" x 3"	15	E	63	12	331

All information subject to change.

Please contact us on <https://www.aliasis.co.uk/get-in-touch> for further informations