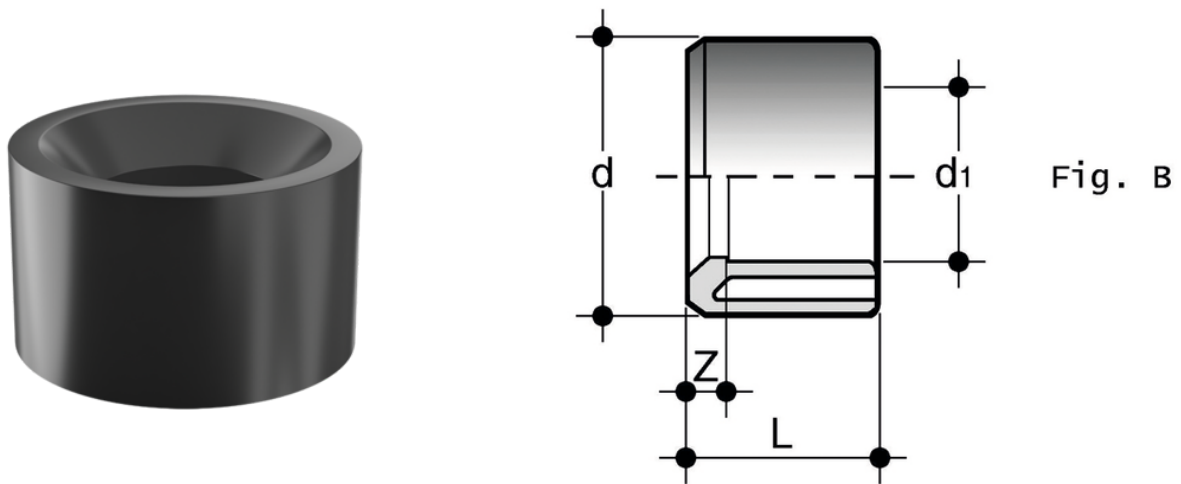


# DLV Fig.B

Fittings according to British standard - reducers.

Reducing bush with solvent weld spigot (d) and solvent weld socket (d1 reduced) (fig. B).

Series of fittings for pipes conveying fluids under pressure with solvent weld and threaded joints according to British Standard.



Reference	d x d <sub>1</sub>	PN	Class	L	Z	g
DLV112034	1"1/2 x 3/4"	15	E	30	10	40
DLV200100	2" x 1"	15	E	36	7	50
DLV200112	2" x 1"1/2	15	E	38	7	50
DLV300112	3" x 1"1/2	15	E	50,5	20,5	200
DLV300200	3" x 2"	15	E	51	13	167
DLV400200	4" x 2"	15	E	63	27	370
DLV600400	6" x 4"	12	D	90	27	972
DLV800600	8" x 6"	12	D	115,5	26,5	1400