

# PFV

Threaded fittings.

Plug with BSP male thread (Fig. A).

Series of fittings for pipes conveying fluids under pressure with threaded joints.

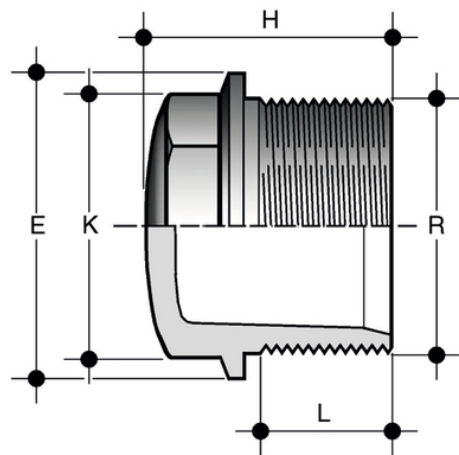


Fig. A

Reference	R	PN	E	H	K	L	g
PFV038	3/8"	16	22	22	18	11,4	4
PFV012	1/2"	16	28	26	23	15	8
PFV034	3/4"	16	34	30	28	16,3	11
PFV100	1"	16	40	34	35	19,1	21
PFV114	1 1/4"	16	52	38	44	21,4	30
PFV112	1 1/2"	16	58	40	51	21,4	46
PFV200	2"	16	70	47	64	25,7	74