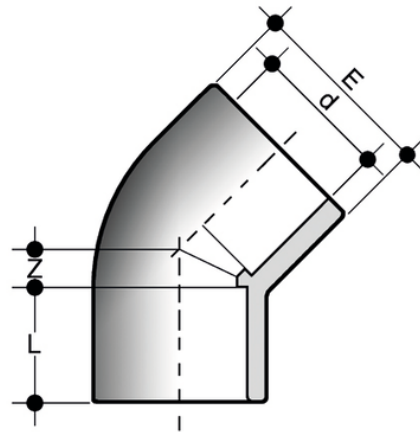


HLV

Fittings according to british standard - equal socket.

45° elbow with solvent weld sockets.



Reference	d	PN	Class	E	L	Z	g
HLV012	1/2"	15	E	27	16,5	5	13
HLV034	3/4"	15	E	33	19,5	5,5	20
HLV100	1"	15	E	41	22,5	7	45
HLV114	1"1/4	15	E	50	26	10,5	85
HLV112	1"1/2	15	E	61	31	11,5	155
HLV200	2"	15	E	76	38	14	291
HIV075	2"1/2	15	E	90	44	17	315
HLV300	3"	15	E	107,5	51	21,5	565
HLV400	4"	15	E	131	61	26	740

All information subject to change.

Please contact us on <https://www.aliaxis.co.uk/get-in-touch> for further informations