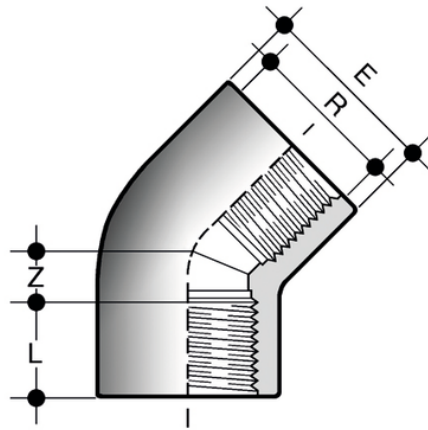


# HFV

Threaded fittings - equal socket.

45° elbow with BSP threaded female ends.

Series of fittings for pipes conveying fluids under pressure with threaded joints.



Reference	R	PN	E	L	Z	g
HFV012	1/2"	16	28	15	6,5	18
HFV034	3/4"	16	33	16,3	8	24
HFV100	1"	16	41	19,1	10,5	45
HFV114	1"1/4	16	50	21,4	15	68
HFV112	1"1/2	16	64	21,4	21	154
HFV200	2"	16	76	25,7	26	255
HFV212	2"1/2	16	90	30,2	31	345
HFV300	3"	16	107	33,3	39	625

All information subject to change.

Please contact us on <https://www.aliaxis.co.uk/get-in-touch> for further informations