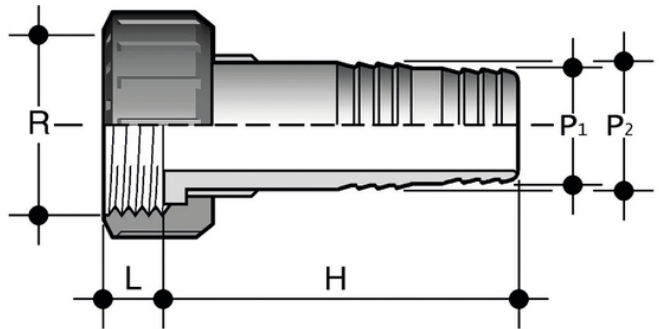


ADV - Hose adaptor

Hose adaptor with BSP threaded female end (R) and EPDM flat gasket.

Series of fittings for pipes conveying fluids under pressure with threaded joints.



Reference	R x P[5:1] x P[5:2]	PN	H	L	g
ADV012012014	1/2" x 12 x 14	16	56	14	15
ADV034016018	3/4" x 16 x 18	16	60	11,5	24
ADV100020022	1" x 20 x 22	16	67	11	35
ADV114025027	1"1/4 x 25 x 27	16	81	14	55
ADV112030032	1"1/2 x 30 x 32	16	97	16	80
ADV200040042	2" x 40 x 42	16	104	18	140
ADV200050052	2" x 50 x 52	16	111	16	180
ADV214050052	2"1/4 x 50 x 52	16	111	17,5	200
ADV234060064	2"3/4 x 60 x 64	16	123	20	300

All information subject to change.

Please contact us on <https://www.aliaxis.co.uk/get-in-touch> for further informations