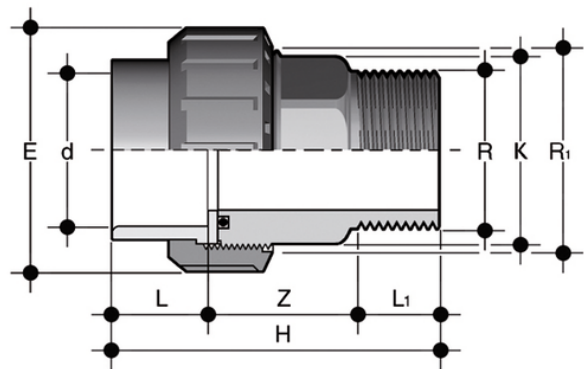


# BIRV - Union

Adaptor fittings - unions.

Union with fixed BSP threaded male end and O-Ring in EPDM.

Series of fittings designed for conveying fluids under pressure with threaded and solvent weld cold chemical jointing systems (solvent welding) using suitable solvent cement and cleaner/primer.



Reference	d x R	R <sub>1</sub>	PN	E	H	K	L	L <sub>1</sub>	Z	g
BIRV050112E	50 x 1"1/2	2"1/4	16	79	98	53	31	21,4	45,6	200
BIRV050200E	50 x 2"	2"1/4	16	79	102	53	31	25,7	45,3	220
BIRV063200E	63 x 2"	2"3/4	16	98	116	67	38	25,7	52,3	380

All information subject to change.

Please contact us on <https://www.aliasis.co.uk/get-in-touch> for further informations