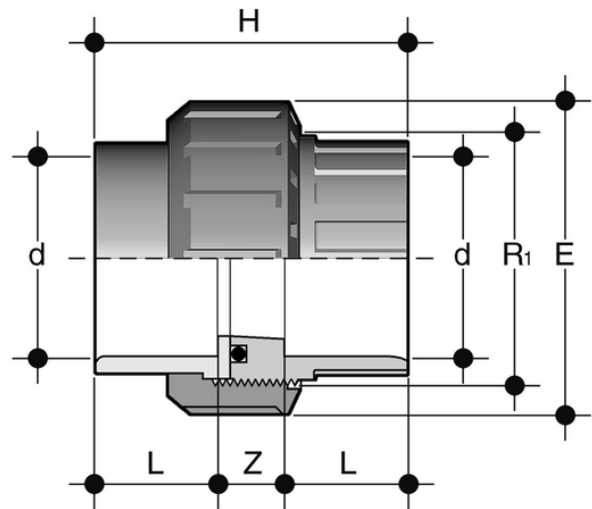


BIV - Union

Union with solvent weld socket, O-Ring in EPDM or FKM.



Reference		d	R ₁	PN	E	H	L	Z	g
BIV016E	I	16	3/4"	16	33	41	14	13	20
BIV020E	I	20	1"	16	41	45	16	13	35
BIV025E	I	25	1"1/4	16	50	51	19	13	60
BIV032E	I	32	1"1/2	16	58	57	22	13	85
BIV040E	I	40	2"	16	72	67	26	15	150
BIV050E	I	50	2"1/4	16	79	79	31	17	175
BIV063E	I	63	2"3/4	16	98	98	38	22	320
BIV075E		75	3"1/2	10	120	116	44	21	590
BIV090E		90	4"	10	135	125	51	23	770
BIV110E		110	5"	10	163	145	61	23	1300

All information subject to change.

Please contact us on <https://www.aliasis.co.uk/get-in-touch> for further informations