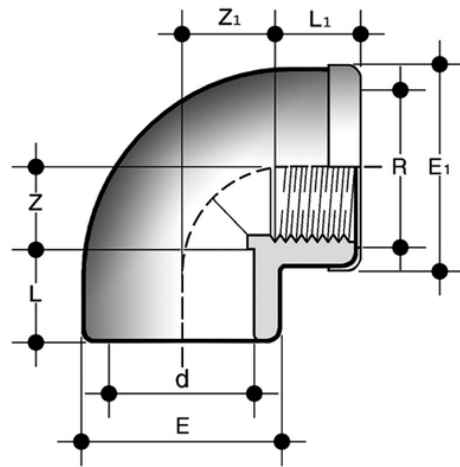


# GIMV

Adaptor fittings.

90° elbow with reinforced solvent weld socket d and BSP threaded female end R with stainless steel reinforcing ring.

Series of fittings designed for conveying fluids under pressure with threaded and solvent weld cold chemical jointing systems (solvent welding) using suitable solvent cement and cleaner/primer.



Reference	d x R	PN	E	E <sub>1</sub>	L	L <sub>1</sub>	Z	Z <sub>1</sub>	g
GIMV016038	16 x 3/8"	16	23,5	24,5	14	11,4	10	13	20
GIMV020012	20 x 1/2"	16	28,5	29,5	16	15	12	13	30
GIMV025034	25 x 3/4"	16	35	36	19	16,3	14	17	48
GIMV032100	32 x 1"	16	43	44	22	19,1	18	20,5	85
GIMV040114	40 x 1 1/4"	16	54	55	26	21,4	22,5	27	130
GIMV050112	50 x 1 1/2"	16	61	62	31	21,4	27	37	185
GIMV063200	63 x 2"	16	76	77	38	25,7	33	46	345

All information subject to change.

Please contact us on <https://www.aliaxis.co.uk/get-in-touch> for further informations