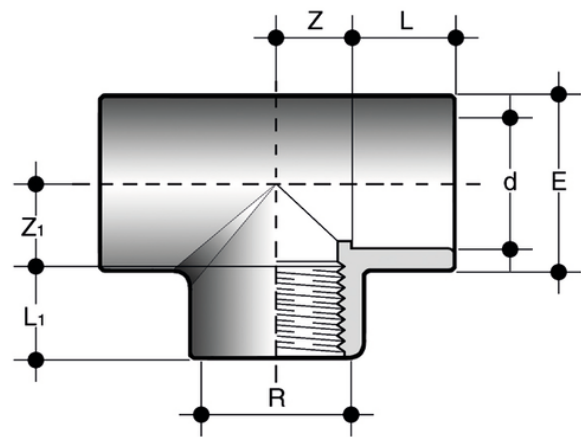


TIFV

Adaptor fittings.

90° Tee with solvent weld socket d and BSP threaded female end R.

Series of fittings designed for conveying fluids under pressure with threaded and solvent weld cold chemical jointing systems (solvent welding) using suitable solvent cement and cleaner/primer.



Reference	d x R	PN	E	L	L ₁	Z	Z ₁	g
TIFV016038	16 x 3/8"	16	23,5	14	11,4	9	11	20
TIFV020012	20 x 1/2"	16	28,5	16	15	12	13	32
TIFV025034	25 x 3/4"	16	35	19	16,3	15	17	52
TIFV032012	32 x 1/2"	16	41	22	15	17,5	18	92
TIFV032100	32 x 1"	16	43	22	19,1	18	21	71
TIFV040114	40 x 1"1/4	16	50	26	21,4	21,5	27	110
TIFV050012	50 x 1/2"	16	61	31	15	27	27,5	160
TIFV050112	50 x 1"1/2	16	61	31	21,4	27	37	195
TIFV063012	63 x 1/2"	16	76	38	15	33,5	37,5	305
TIFV063200	63 x 2"	16	76	38	25,7	33,5	46	405
TIFV075212	75 x 2"1/2	16	91	44	30,2	41	54,5	605
TIFV090300	90 x 3"	16	109	51	33,3	48,5	66	1070
TIFV110400	110 x 4"	16	103	61	39,3	61,5	83	1690

All information subject to change.

Please contact us on <https://www.aliaxis.co.uk/get-in-touch> for further informations