

DIMV

Adaptor fittings.

Double adaptor with solvent weld socket df , solvent weld spigot dm and BSP threaded female end R with stainless steel reinforcing ring (fig. A).

Series of fittings designed for conveying fluids under pressure with threaded and solvent weld cold chemical jointing systems (solvent welding) using suitable solvent cement and cleaner/primer.

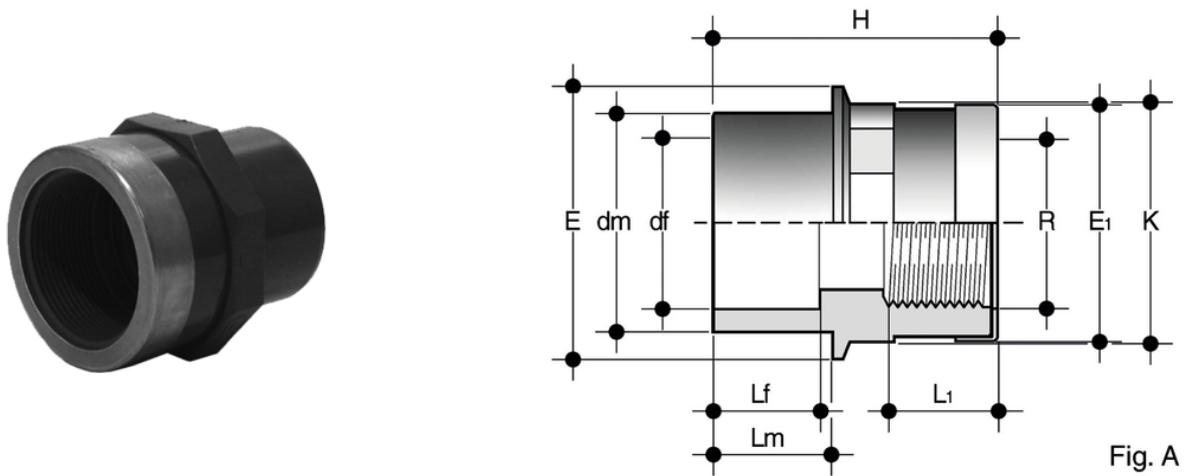


Fig. A

Reference	$dm \times df \times R$	PN	E	E_1	H	K	L_1	L_f	L_m	g
DIMV020016038	20 x 16 x 3/8"	16	28	24,5	37	24	11,4	14	16	13
DIMV025020012	25 x 20 x 1/2"	16	34	29,5	43	29	15	16	19	20
DIMV032025034	32 x 25 x 3/4"	16	40	36	50	35	16,3	19	22	32
DIMV040032100	40 x 32 x 1"	16	52	44	58	44	19,1	22	26	58
DIMV050040114	50 x 40 x 1 1/4"	16	59	55	68	54	21,4	26	31	77
DIMV063050112	63 x 50 x 1 1/2"	16	70	62	78	64	21,4	31	38	143

All information subject to change.

Please contact us on <https://www.aliasis.co.uk/get-in-touch> for further informations