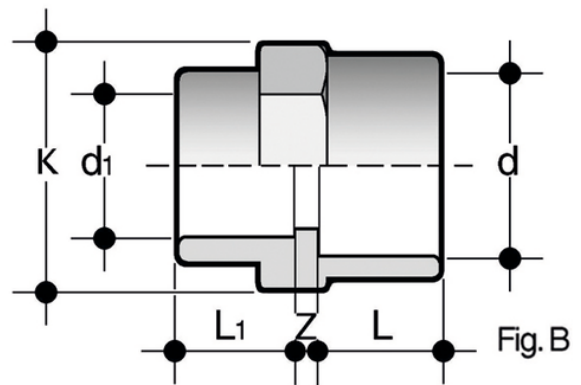
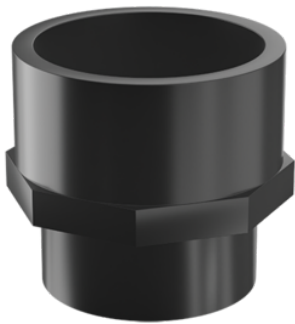


MRIV

Solvent weld fittings - reducers.

Reducer: solvent weld double socket (fig. B)

Series of fittings designed for conveying fluids under pressure with a cold chemical weld jointing system (solvent welding) using a suitable solvent cement and cleaner-primer.



Reference	d x d ₁	PN	E	E ₁	K	L	L ₁	Z	g
MRIV110090	110 x 90	16	-	-	130	61	51	4,5	555