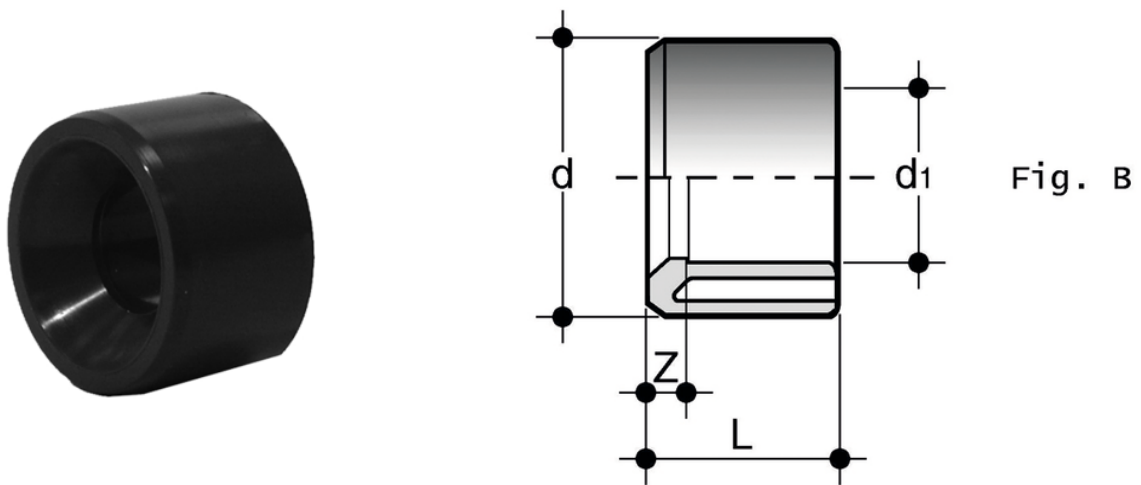


## DIV - Fig. B

Solvent weld fittings - reducers.

Reducing bush with solvent weld spigot (d) and solvent weld socket (d1 reduced) (fig. B).

Series of fittings designed for conveying fluids under pressure with a cold chemical weld joining system (solvent welding) using a suitable solvent cement and cleaner-primer.



Reference		d x d <sub>1</sub>	PN	L	Z	g
1RRC121000	I	200 x 160	16	106	20	1310
DIV040020	I	40 x 20	16	26	9	25
DIV040025	I	40 x 25	16	26	7	24
DIV050032	I	50 x 32	16	31	8,5	35
DIV063032	I	63 x 32	16	38	16	73
DIV063040	I	63 x 40	16	38	11,5	75
DIV075050	I	75 x 50	16	44	13	120
DIV090050	I	90 x 50	16	51	20	200
DIV090063	I	90 x 63	16	51	13	210
DIV110063	I	110 x 63	16	61	23	340
DIV110075	I	110 x 75	16	61	17	360
DIV140090	I	140 x 90	16	76	25	730
DIV160090	I	160 x 90	16	86	35	1040
DIV160110	I	160 x 110	16	86	24	945
DIV180160	-	*180x160	10	96	10	710
DIV200180	*200 x 180	10	106	10	870	
DIV225160	I	225 x 160	16	119	33	1840

All information subject to change.

Please contact us on <https://www.aliaxis.co.uk/get-in-touch> for further informations

## DIV - Fig. B

Reference		d x d <sub>1</sub>	PN	L	Z	g
DIV250160	250 x 160	10	132	45	3100	
DIV250180	*250 x 180	10	132	36	3100	
DIV280200	*280 x 200	10	146	40	4100	
DIV280225	280 x 225	10	147	27	4300	
DIV315200	315 x 200	10	165	58	8650	
DIV315225	315 x 225	10	165	45	8100	
DIV315250	315 x 250	10	165	33	5330	
DIV315280	315 x 280	10	165	18	4500	

All information subject to change.

Please contact us on <https://www.aliaxis.co.uk/get-in-touch> for further informations