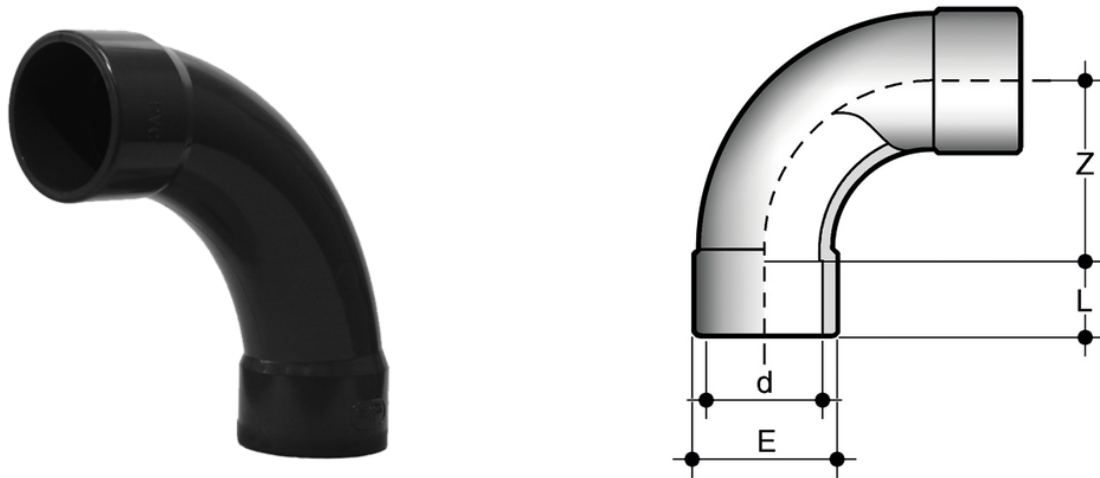


SIV

Solvent weld fittings - equal socket.

90° long radius bend (R=2d) with solvent weld sockets.

Series of fittings designed for conveying fluids under pressure with a cold chemical weld joining system (solvent welding) using a suitable solvent cement and cleaner-primer.



Reference		d	PN	E	L	Z	g
SIV020	IH	20	16	27	16	40,5	35
SIV025	IH	25	16	33	19	50	55
SIV032	IH	32	16	41	22	65,5	100
SIV040	IH	40	16	50	26	80,5	175
SIV050	IH	50	16	61	31	100,5	280
SIV063	IH	63	16	76	38	127	515
SIV075	I	75	16	94	44	150	1000
SIV090	I	90	16	113	51	180	1770
SIV110	I	110	16	137	61	220	2800
SIV160		160	16	189	86	207	5020

All information subject to change.

Please contact us on <https://www.aliaxis.co.uk/get-in-touch> for further informations