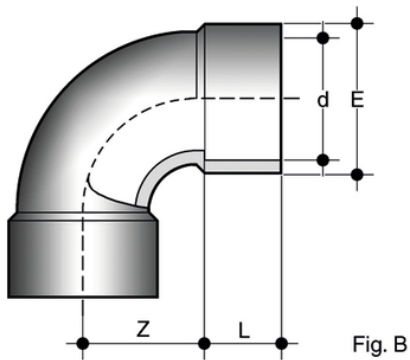


GIV - Fig. B

Solvent weld fittings - equal socket.

90° elbow with solvent weld sockets (fig. B).

Series of fittings designed for conveying fluids under pressure with a cold chemical weld joining system (solvent welding) using a suitable solvent cement and cleaner-primer.



Reference	d	PN	E	L	Z	g
GIV250	250	10	287	131	188	12480
GIV280	280	10	325	147	210	17000
GIV315	315	10	359	164	236	23370

All information subject to change.

Please contact us on <https://www.aliaxis.co.uk/get-in-touch> for further informations