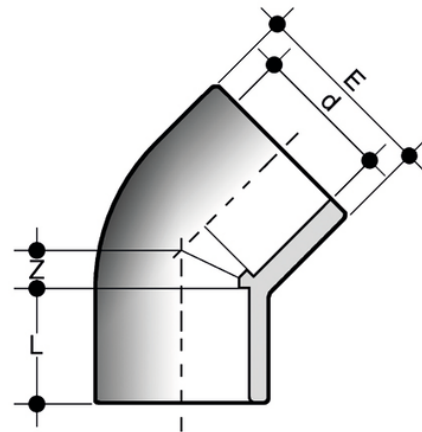


HIV

Solvent weld fittings - equal socket.

45° elbow with solvent weld sockets.

Series of fittings designed for conveying fluids under pressure with a cold chemical weld joining system (solvent welding) using a suitable solvent cement and cleaner-primer.



Reference		d	PN	E	L	Z	g
HIV012		12	16	17	12	4	5
HIV016		16	16	21	14	5	6
HIV020	IFH	20	16	28	16	5,5	20
HIV025	IFH	25	16	33	19	6	26
HIV032	IFH	32	16	41	22	7,5	45
HIV040	IFH	40	16	50	26	10,5	70
HIV050	IFH	50	16	61	31	11,5	120
HIV063	IFH	63	16	76	38	14	200
HIV075	IF	75	16	90	44	17	320
HIV090	IF	90	16	107	51	21,5	550
HIV110	I	110	16	130	61	26	915
HIV125	IF	125	16	147	69	31	1315
HIV140	IF	140	16	163	76	34	1660
HIV160	IF	160	16	192	86	38	3060
HIV180		*180	10	208	97	38	3500
HIV200	I	200	10	230	108	48	4500
HIV225	I	225	10	260	121	55	6400

All information subject to change.

Please contact us on <https://www.aliaxis.co.uk/get-in-touch> for further informations



HIV

Reference		d	PN	E	L	Z	g
HIV250		250	10	286	131	58	7700
HIV280		280	10	320	146	62	10460
HIV315		315	10	359	164	66	15500

All information subject to change.

Please contact us on <https://www.aliaxis.co.uk/get-in-touch> for further informations

