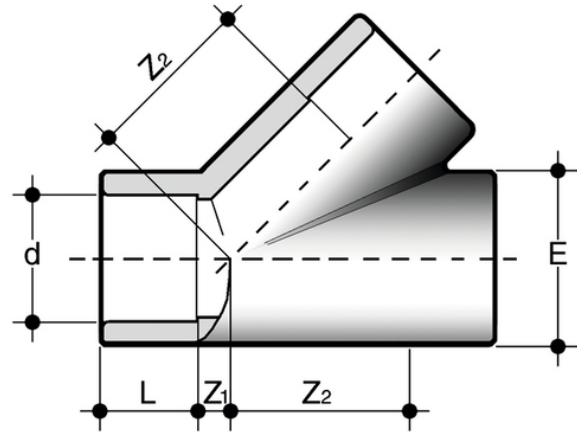


YIV

Solvent weld fittings - equal socket.

45° Tee with solvent weld sockets.



Reference	d	PN	E	L	Z	Z2	g
YIV020	20	16	27	16	7	30	39
YIV025	25	16	33	19	7	35	62
YIV032	32	16	41	22	9	44	110
YIV040	40	16	51	26	11	55	190
YIV050	50	16	63	31	12	68,5	335
YIV063	63	16	78	38	15	85	570
YIV075	75	10	87,5	44	17,5	94,5	750
YIV090	90	10	104,5	51,5	20,5	112,5	1165
YIV110	110	10	127,5	62	25	138	2175
YIV160	*160	10	189	86	35	200	6500

All information subject to change.

Please contact us on <https://www.aliasis.co.uk/get-in-touch> for further informations