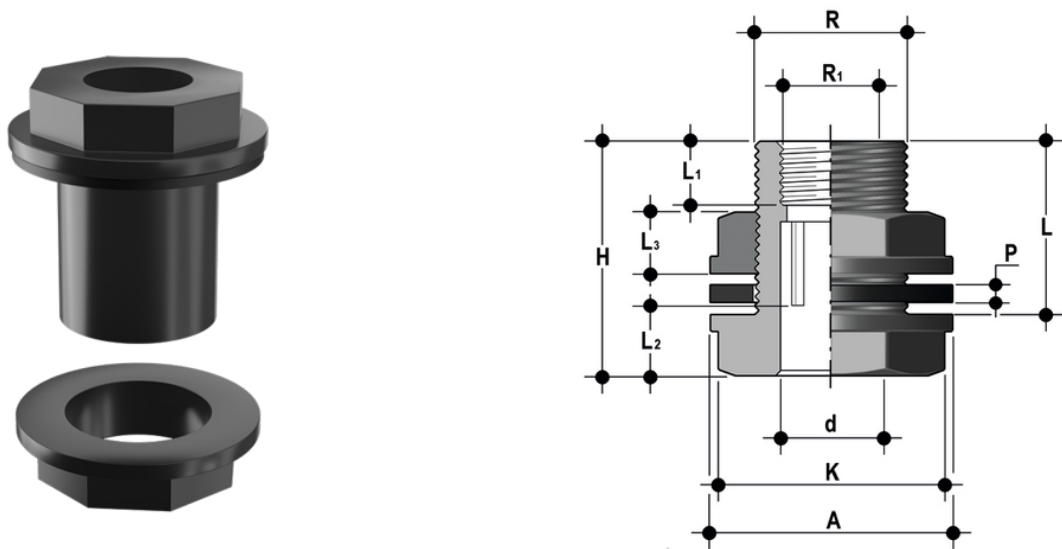


# LIFV

Adaptor fittings - tank connectors.

Tank connector with solvent weld socket d, male threaded joint R and female threaded joint R1 with tightening nut and flat gasket in EPDM or FKM.

Series of fittings designed for conveying fluids under pressure with threaded and solvent weld cold chemical jointing systems (solvent welding) using suitable solvent cement and cleaner/primer.



Reference	d x R x R[5:1]	PN	A	H	K	L	L <sub>1</sub>	L <sub>2</sub>	L[5:3]	P	g
1RAS316B00	16 x 3/4" x 1/2"	16	44	60,5	33	47	15	14	13,5	3	53
1RAS320C00	20 x 1" x 3/4"	16	58	65	46	49	16,3	16	16	3	108
1RAS325D00	25 x 1"1/4 x 1"	16	62	70	50	52	19,1	19	18	3	142
1RAS332D00	32 x 1"1/2 x 1"	16	76	73	60	54	19,1	22	19	3	192
1RAS340F00	40 x 2" x 1"1/2	16	92	81	79	60	21,4	26	20,8	3	337

All information subject to change.

Please contact us on <https://www.aliasis.co.uk/get-in-touch> for further informations