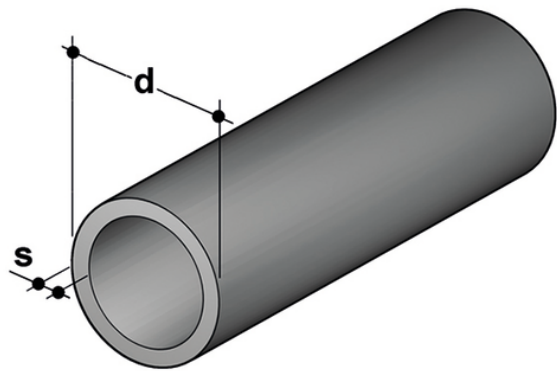
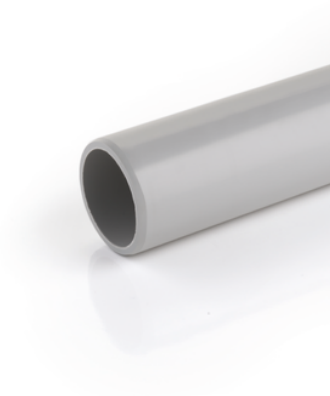


TemperFIP100® Pressure pipe PN10 SDR21 - S10

PVC-C Corzan® pressure pipe according to standards EN ISO 15493 and DIN 8079/8080, light grey RAL 215, standard length 5m.

Pipes under pressure with cold chemical weld jointing systems (solvent welding) using suitable solvent cement (TemperGLUE WELD-ON) and primer-cleaner.



Reference	d	DN	S mm	Kg/m
PIPEC21110	110	100	5,3	2,890
PIPEC21160	160	150	7,7	6,060
PIPEC21225	225	200	10,8	12,200