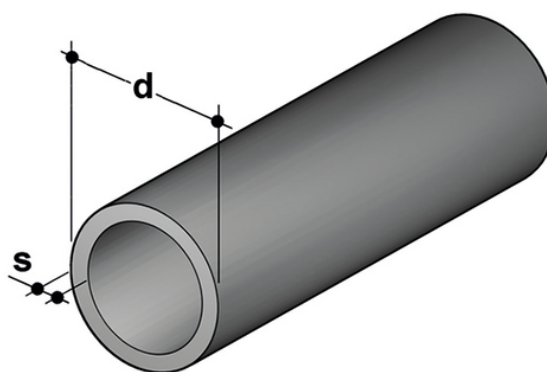
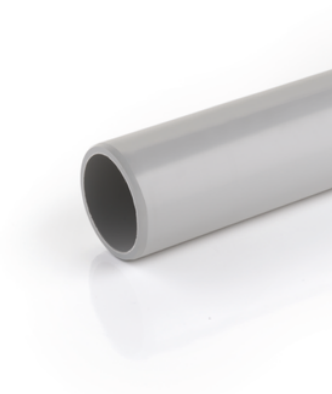


TemperFIP100® Pressure pipe PN16 SDR 13,6 – S6,3

PVC-C Corzan® pressure pipe according to standards EN ISO 15493 and DIN 8079/8080, light grey RAL 215, standard length 5m.

Pipes under pressure with cold chemical weld jointing systems (solvent welding) using suitable solvent cement (TemperGLUE WELD-ON) and primer-cleaner.



Reference	d	DN	S mm	Kg/m
PIPEC13016	16	10	1,4	0,110
PIPEC13020	20	15	1,5	0,170
PIPEC13025	25	20	1,9	0,260
PIPEC13032	32	25	2,4	0,420
PIPEC13040	40	32	3,0	0,630
PIPEC13050	50	40	3,7	0,970
PIPEC13063	63	50	4,7	1,530
PIPEC13075	75	65	5,6	2,200
PIPEC13090	90	80	6,7	2,880
PIPEC13110	110	100	8,1	4,310
PIPEC13160	160	150	11,8	9,040

All information subject to change.

Please contact us on <https://www.aliaxis.co.uk/get-in-touch> for further informations