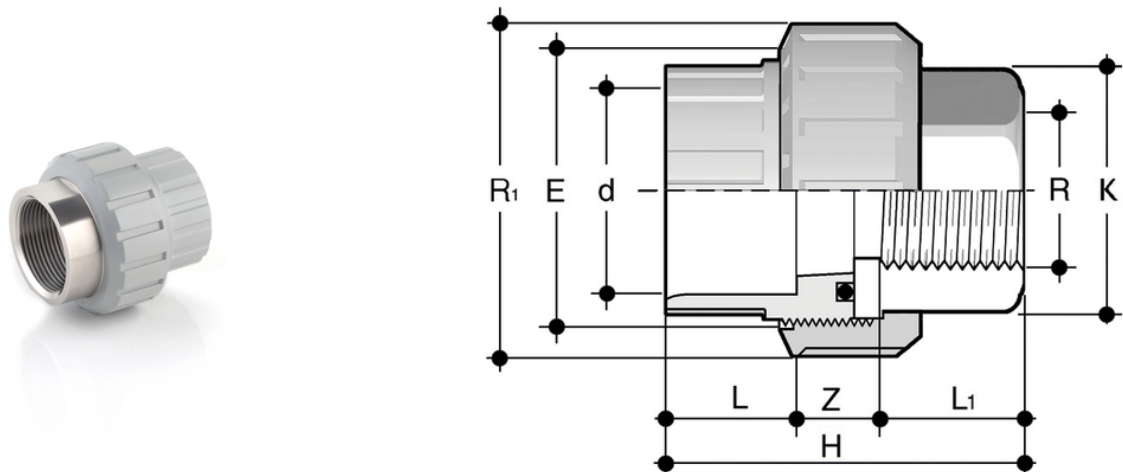


# BIFXC\_EPDM - Adaptor union

Adaptor union in PVC-C/STAINLESS steel with solvent weld socket d and BSP threaded STAINLESS steel female end R with O-Ring in EPDM or FKM.

Series of fittings designed for conveying fluids under pressure with threaded and cold chemical solvent weld joining systems (solvent welding) using suitable solvent cement (TemperGLUE WELD-ON) and cleaner-primer.



Reference	d x R	R <sub>1</sub>	PN	E	H	K	L	L <sub>1</sub>	Z	g
BIFXC016038E	16 x 3/8"	3/4"	16	33	45,5	20	14	13,5	18	52
BIFXC020012E	20 x 1/2"	1"	16	41	48,5	25	16	16,5	16	83,5
BIFXC025034E	25 x 3/4"	1 1/4"	16	50	54,5	32	19	18,5	17	156
BIFXC032100E	32 x 1"	1 1/2"	16	58	59,5	38	22	19,5	18	176
BIFXC040114E	40 x 1 1/4"	2"	16	72	68,5	48	26	21,5	21	361
BIFXC050112E	50 x 1 1/2"	2 1/4"	16	79	84,5	55	31	23	30,5	450
BIFXC063200E	63 x 2"	2 3/4"	16	98	94,5	69	38	27	29,5	792