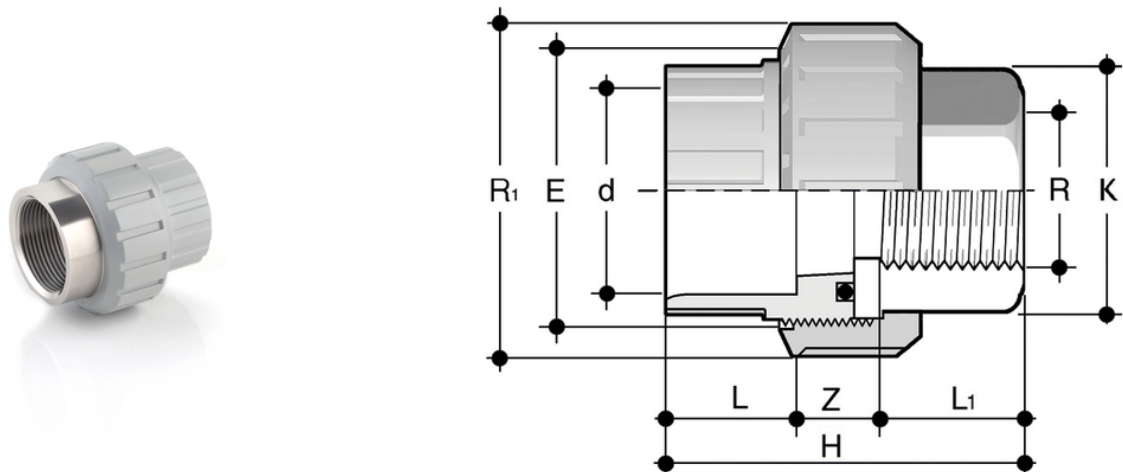


BIFXC_FKM - Adaptor union

Adaptor union in PVC-C/STAINLESS steel with solvent weld socket d and BSP threaded STAINLESS steel female end R with O-Ring in EPDM or FKM.

Series of fittings designed for conveying fluids under pressure with threaded and cold chemical solvent weld jointing systems (solvent welding) using suitable solvent cement (TemperGLUE WELD-ON) and cleaner-primer.



Reference	d x R	R ₁	PN	E	H	K	L	L ₁	Z	g
BIFXC016038F	16 x 3/8"	3/4"	16	33	45,5	20	14	13,5	18	52
BIFXC020012F	20 x 1/2"	1"	16	41	48,5	25	16	16,5	16	83,5
BIFXC025034F	25 x 3/4"	1 1/4"	16	50	54,5	32	19	18,5	17	156
BIFXC032100F	32 x 1"	1 1/2"	16	58	59,5	38	22	19,5	18	176
BIFXC040114F	40 x 1 1/4"	2"	16	72	68,5	48	26	21,5	21	361
BIFXC050112F	50 x 1 1/2"	2 1/4"	16	79	84,5	55	31	23	30,5	450
BIFXC063200F	63 x 2"	2 3/4"	16	98	94,5	69	38	27	29,5	792