

Solvent weld fittings - equal socket.

90° elbow with solvent weld sockets (fig. B).

Series of fittings designed for conveying fluids under pressure with a cold chemical weld joining system (solvent welding) using a suitable solvent cement (TemperGLUE WELD-ON) and cleaner-primer.

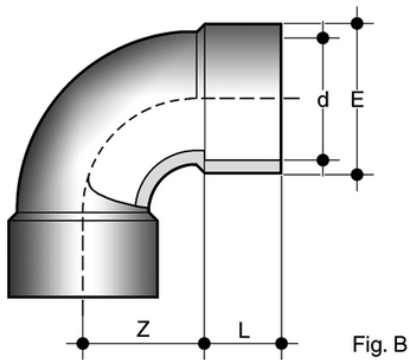


Fig. B

Reference	d	PN	E	L	Z	g
GIC225	225	10	258	119	172	9270