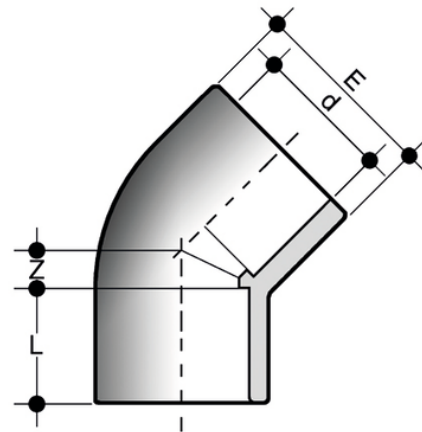


HIC

Solvent weld fittings - equal socket.

45° elbow with solvent weld sockets.

Series of fittings designed for conveying fluids under pressure with a cold chemical weld joining system (solvent welding) using a suitable solvent cement (TemperGLUE WELD-ON) and cleaner-primer.



Reference	d	PN	E	L	Z	g
HIC020	20	16	28	16	5,5	20
HIC025	25	16	34	19	6	32
HIC032	32	16	42,5	22	7	58
HIC040	40	16	52	26	10,5	101
HIC050	50	16	64	31	11,7	175
HIC063	63	16	80	38	14	305
HIC075	75	16	90	44	17	344
HIC090	90	16	107	51	21,5	587
HIC110	110	16	130	61	26	1007
HIC160	160	16	192	86	38	3255
HIC225	225	10	260	121	55	7150

All information subject to change.

Please contact us on <https://www.aliasis.co.uk/get-in-touch> for further informations