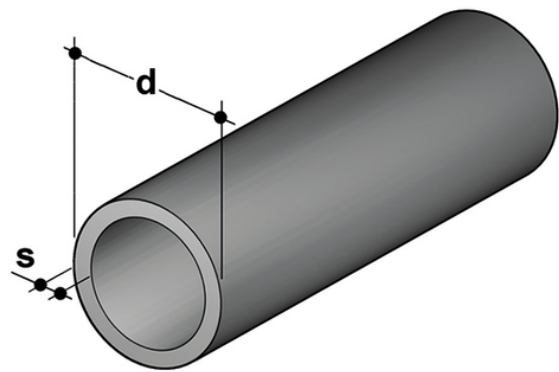


# Pressure pipe PN16 SDR 21 - S10

Pressure pipe.

Pressure pipe in PVDF according to ISO 10931, translucent white, standard length 5m.

Pressure pipes for connection system by butt or socket welding.



Reference	d	DN	S (mm)	Kg/m
PIPEF21016	16	10	1,9	0,137
PIPEF21020	20	15	1,9	0,21
PIPEF21025	25	20	1,9	0,269
PIPEF21032	32	25	2,4	0,435
PIPEF21040	40	32	2,4	0,553
PIPEF21050	50	40	3	0,825
PIPEF21063	63	50	3	1,09
PIPEF21075	75	65	3,6	1,55
PIPEF21090	90	80	4,3	2,22
PIPEF21110	110	100	5,3	3,33

All information subject to change.

Please contact us on <https://www.aliaxis.co.uk/get-in-touch> for further informations