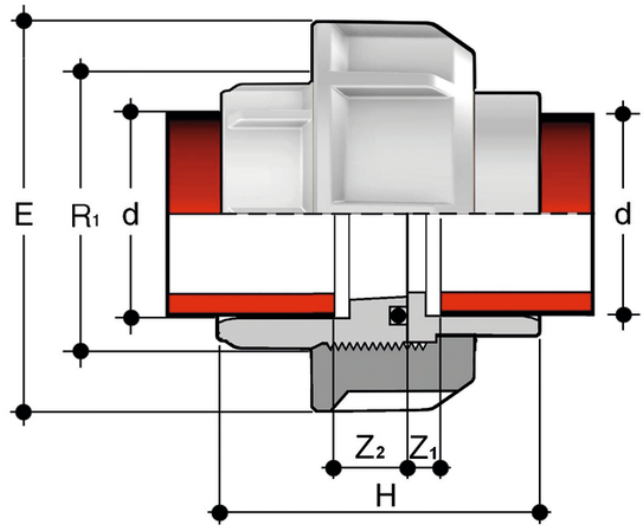


BIGF - Unions

Union for socket welding.

Series of fittings designed for conveying fluids under pressure with a hot weld connection system (socket welding).



Reference	d	R ₁	PN	E	H	Z ₁	Z ₂	g
BIGF020F	20	1"	16	47	45,5	12	5,5	59
BIGF025F	25	1"1/4	16	58	49,5	12	5,5	99
BIGF032F	32	1"1/2	16	65	53,5	12	5,5	141
BIGF040F	40	2"	16	78	59,5	14	5,5	218
BIGF050F	50	2"1/4	16	85	67,5	16	5,5	290
BIGF063F	63	2"3/4	16	103	79,5	20	5,5	476

All information subject to change.

Please contact us on <https://www.aliaxis.co.uk/get-in-touch> for further informations