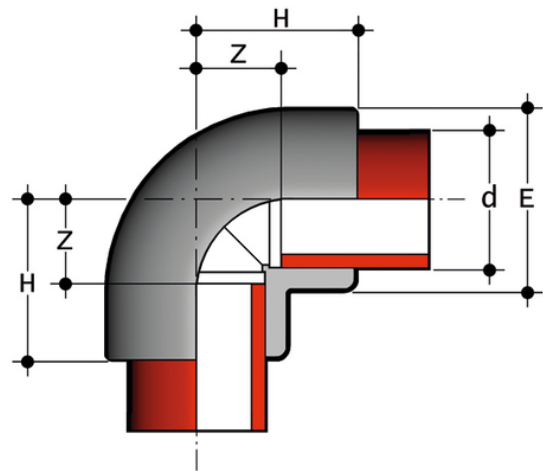


GIF

Adaptor for socket welding - equal socket.

90° elbow for socket welding.

Series of fittings designed for conveying fluids under pressure with a hot weld connection system (socket welding).



Reference	d	PN	E	H	Z	g
GIF016	16	16	22	23	10	14
GIF020	20	16	28	27	13	28
GIF025	25	16	33	32	16	43
GIF032	32	16	41	37	19	65
GIF040	40	16	52	43	23	125
GIF050	50	16	63	51	27	195
GIF063	63	16	77	61	34	340
GIF075	75	16	92	73	42	575
GIF090	90	16	110	83	47	850
GIF110	110	16	133	99	58	1470

All information subject to change.

Please contact us on <https://www.aliaxis.co.uk/get-in-touch> for further informations