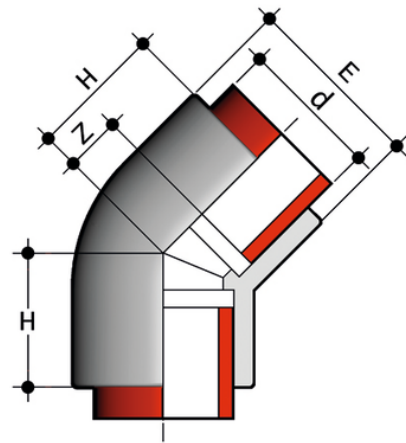


HIF

Adaptor for socket welding - equal socket.

45° elbow for socket welding.

Series of fittings designed for conveying fluids under pressure with a hot weld connection system (socket welding).



Reference	d	PN	E	H	Z	g
HIF020	20	16	28	22	7	24
HIF025	25	16	33	25	9	37
HIF032	32	16	42	30	12	63
HIF040	40	16	51	37	16	110
HIF050	50	16	63	43	19	202
HIF063	63	16	79	52	25	337
HIF075	75	16	88	61	30	395
HIF090	90	16	105	73	37	645
HIF110	110	16	127	87	46	1095

All information subject to change.

Please contact us on <https://www.aliaxis.co.uk/get-in-touch> for further informations