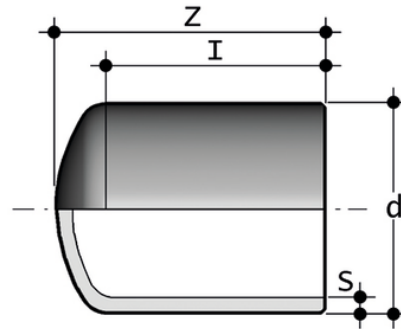


CBM SDR 17,6 - Cap

Long spigot end cap for butt welding PN6 SDR 17,6 - S 8,3.

Series of fittings designed for conveying fluids under pressure with a weld connection system (butt welding).



Reference	d	l	S	Z	g
CBM17125	125	95	7,1	124	360
CBM17140	140	110	8	136	485
CBM17160	160	121	9,1	161	735
CBM17180	180	134	10,2	167	990
CBM17200	200	140	11,4	184	1310
CBM17225	225	160	12,8	200	1790
CBM17250	*250	-	14,2	45	1520
CBM17280	*280	-	15,9	45	2070
CBM17315	*315	-	17,9	50	2940
CBM17355	*355	-	20,1	55	4170
CBM17400	*400	-	22,7	60	5960
CBM17450	*450	-	25,5	70	8520
CBM17500	*500	-	28,4	75	11600
CBM17560	*560	-	31,7	80	16000
CBM17630	*630	-	35,7	90	22900
CBM17710	*710	-	40,2	120	33500
CBM17800	*800	-	45,3	130	47500

All information subject to change.

Please contact us on <https://www.aliasis.co.uk/get-in-touch> for further informations