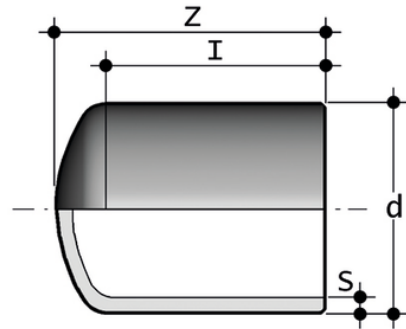


CBM SDR 11 - Cap

Long spigot end cap for butt welding PN10 SDR 11 - S 5.

Series of fittings designed for conveying fluids under pressure with a weld connection system (butt welding).



Reference	d	l	S	Z	g
CBM11020	20	35	1,9	45	10
CBM11025	25	40	2,3	52	10
CBM11032	32	44	2,9	58	20
CBM11040	40	50	3,7	67	30
CBM11050	50	55	4,6	75	50
CBM11063	63	62	5,8	85	90
CBM11075	75	63	6,8	95	130
CBM11090	90	79	8,2	110	230
CBM11110	110	88	10	127	400
CBM11125	125	94	11,4	130	520
CBM11140	140	99	12,7	142	695
CBM11160	160	109	14,6	162	1040
CBM11180	180	141	16,4	191	1375
CBM11200	200	127	18,2	181	1860
CBM11225	225	129	20,5	205	2680
CBM11250	*250	-	22,7	50	1840
CBM11280	*280	-	25,4	55	2560
CBM11315	*315	-	28,6	60	3600
CBM11355	*355	-	32,2	65	5040

All information subject to change.

Please contact us on <https://www.aliasis.co.uk/get-in-touch> for further informations



CBM SDR 11 – Cap

Reference	d	l	S	Z	g
CBM11400	*400	-	36,3	70	7240
CBM11450	*450	-	40,9	80	10200
CBM11500	*500	-	45,4	85	14000

All information subject to change.

Please contact us on <https://www.aliaxis.co.uk/get-in-touch> for further informations

