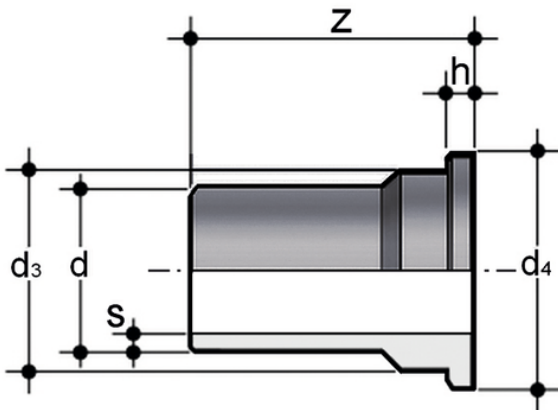


Q/BBM-L - Union end SDR 11 - S5

Union end, long spigot, for butt welding for union BBM-L PN10 SDR 11 - S5.

Series of fittings designed for conveying fluids under pressure with a weld connection system (butt welding).



Reference	division	subfamily	d	d ₃	d ₄	h	s	Z	g
QBBML11020	Sistema PP-H testa/butt welding	Accesorios PP-H	20	27,4	30	5	1,9	95	20
QBBML11025	Sistema PP-H testa/butt welding	Accesorios PP-H	25	35,9	38,7	6	2,3	95	40
QBBML11032	Sistema PP-H testa/butt welding	Accesorios PP-H	32	41,4	44,6	6	2,9	95	45
QBBML11040	Sistema PP-H testa/butt welding	Accesorios PP-H	40	52,8	56,4	7	3,7	95	75
QBBML11050	Sistema PP-H testa/butt welding	Accesorios PP-H	50	58,8	62,5	7	4,6	95	110
QBBML11063	Sistema PP-H testa/butt welding	Accesorios PP-H	63	73,8	78,3	8	5,8	95	160