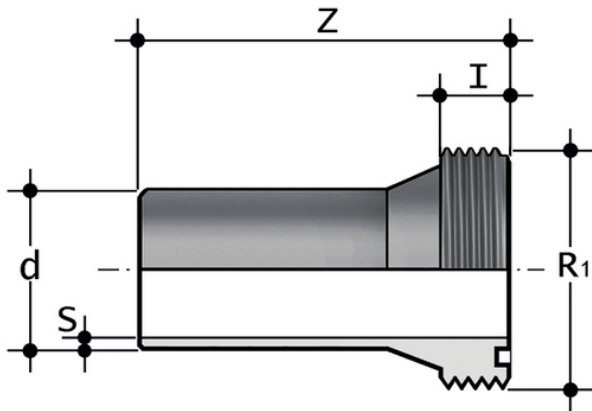


## F/BMM-L - Union SDR 11 - S5

Union bush, long spigot, for butt welding for union BMM-L PN10 SDR 11 - S5.

Series of fittings designed for conveying fluids under pressure with a weld connection system (butt welding).



Reference	d	R <sub>1</sub>	l	s	Z	g
FBBML11020	20	1"	13	1,9	95	25
FBBML11025	25	1"1/4	13	2,3	95	40
FBBML11032	32	1"1/2	14	2,9	95	50
FBBML11040	40	2"	16	3,7	95	80
FBBML11050	50	2"1/4	18	4,6	95	115
FBBML11063	63	2"3/4	20	5,8	95	185