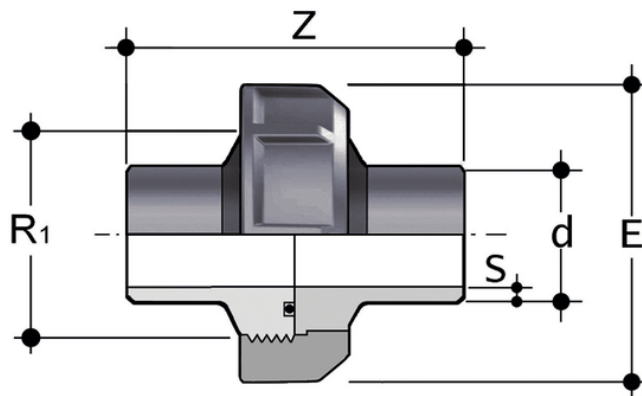


BBM-C SDR 11 - Union

Short spigot union for butt welding with seal in EPDM or FKM PN10 SDR 11 - S5.

Series of fittings designed for conveying fluids under pressure with a weld connection system (butt welding).



*EPDM

Reference	d	DN	E	S	Z	g
BBMC11020E	20	15	46	1,9	108	80
BBMC11025E	25	20	56	2,3	108	75
BBMC11032E	32	25	66	2,9	108	120
BBMC11040E	40	32	79	3,7	108	175
BBMC11050E	50	40	87	4,6	108	240
BBMC11063E	63	50	107	5,8	108	440
BBMC11075E	***75	65	120	6,8	108	648
BBMC11090E	***90	80	153	8,2	180	898
BBMC11110E	***110	100	163	10,0	180	1658

**FKM

Reference	d	DN	E	S	Z	g
BBMC11020F	20	15	46	1,9	108	80
BBMC11025F	25	20	56	2,3	108	75
BBMC11032F	32	25	66	2,9	108	120
BBMC11040F	40	32	79	3,7	108	175

All information subject to change.

Please contact us on <https://www.aliaxis.co.uk/get-in-touch> for further informations



BBM-C SDR 11 - Union

Reference	d	DN	E	S	Z	g
BBMC11050F	50	40	87	4,6	108	240
BBMC11063F	63	50	107	5,8	108	440
BBMC11063F	***75	65	120	6,8	108	648
BBMC11090F	***90	80	153	8,2	180	898
BBMC11110F	***110	100	163	10,0	180	1658

All information subject to change.

Please contact us on <https://www.aliaxis.co.uk/get-in-touch> for further informations

