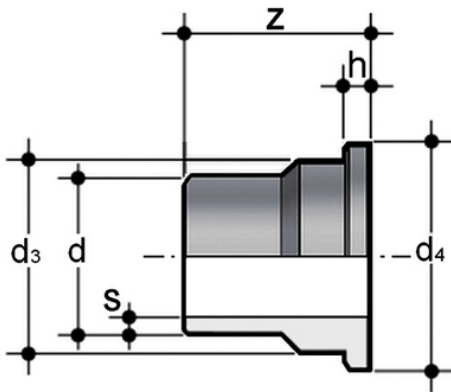


Q/BBM-C - Short spigot SDR 11 - S5

Short spigot PP-H end connectors for butt welding SDR 11 - S5.

Series of fittings designed for conveying fluids under pressure with a weld connection system (butt welding).



Reference	d	d ₃	d ₄	h	S	Z	g
QBBMC11020	20	27,4	30	5	1,9	54	20
QBBMC11025	25	35,9	38,7	6	2,3	54	22
QBBMC11032	32	41,4	44,6	6	2,9	54	36
QBBMC11040	40	52,8	56,4	7	3,7	54	54
QBBMC11050	50	58,8	62,5	7	4,6	54	76
QBBMC11063	63	73,8	78,3	8	5,8	54	118