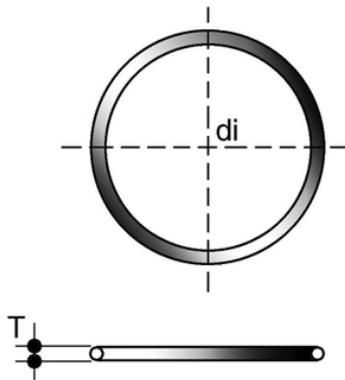


# O-RING

## FITTINGS FOR BUTT WELDING – UNIONS

Seals for union types BIGM, BIFGM, BIFOM, BIROM, BIFXM, BIRXM

Series of fittings designed for conveying fluids under pressure with a weld connection system (butt welding).



### EPDM

Reference	d union	C	Di	T
OR3062E	16	3062	15,54	2,62
OR4081E	20	4081	20,22	3,53
OR4112E	25	4112	28,17	3,53
OR4131E	32	4131	32,93	3,53
OR6162E	40	6162	40,65	5,34
OR6187E	50	6187	47	5,34
OR6237E	63	6237	59,69	5,34
OR6300E	75	6300	75,57	5,34
OR6362E	90	6362	91,45	5,34
OR6450E	110	6450	113,67	5,34

### FKM

Reference	d union	C	Di	T
OR3062F	16	3062	15,54	2,62
OR4081F	20	4081	20,22	3,53
OR4112F	25	4112	28,17	3,53
OR4131F	32	4131	32,93	3,53

All information subject to change.

Please contact us on <https://www.aliasis.co.uk/get-in-touch> for further informations



# O-RING

Reference	d union	C	Di	T
OR6162F	40	6162	40,65	5,34
OR6187F	50	6187	47	5,34
OR6237F	63	6237	59,69	5,34
OR6300F	75	6300	75,57	5,34
OR6362F	90	6362	91,45	5,34
OR6450F	110	6450	113,67	5,34

All information subject to change.

Please contact us on <https://www.aliaxis.co.uk/get-in-touch> for further informations

