



Pressure pipe PN10 SDR 11 - S 5

PP-H Pipe according to DIN 8077/8078, Beige - RAL 7032, standard length 5m PN10.

All information subject to change.

Please contact us on <https://www.aliaxis.co.uk/get-in-touch> for further informations



Pressure pipe PN10 SDR 11 - S 5

Pressure pipes for connection system by butt or socket welding.

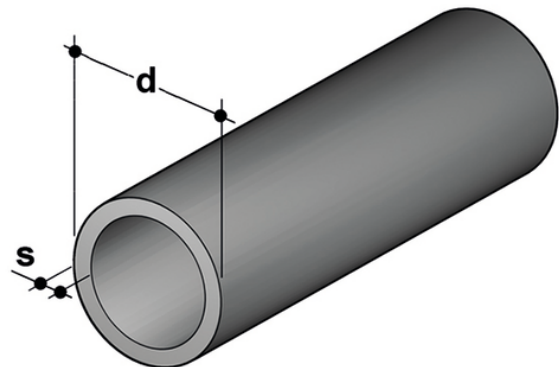
- **Size range:** $d 20 \div d 400$ (mm)
- **Nominal pressure:**
 SDR 17,6 (PN6) with water at 20 °C
 SDR 11 (PN10) with water at 20 °C
- **Temperature range:** 0 °C ÷ 100 °C
- **Coupling standards:** Welding: EN ISO 15494 Can be coupled to pipes according to EN ISO 15494
- **Reference standards:**

Construction criteria: EN ISO 15494

Test methods and requirements: EN ISO 15494

Installation criteria: EN 14728, DVS 2207-11, DVS 2208-1, UNI 11318, UNI 11397

- **Material:** PP-H, PP-R



Reference	d	DN	S (mm)	Kg/m
PIPEM11012	*12	8	1,8	0,06
PIPEM11016	*16	12	1,8	0,08
PIPEM11020	20	15	1,9	0,11
PIPEM11025	25	20	2,3	0,16
PIPEM11032	32	25	2,9	0,26
PIPEM11040	40	32	3,7	0,41
PIPEM11050	50	40	4,6	0,64
PIPEM11063	63	50	5,8	1,01
PIPEM11075	75	65	6,8	1,41

All information subject to change.

Please contact us on <https://www.aliaxis.co.uk/get-in-touch> for further informations

Pressure pipe PN10 SDR 11 - S 5

Reference	d	DN	S (mm)	Kg/m
PIPEM11090	90	80	8,2	2,03
PIPEM11110	110	100	10	3,01
PIPEM11125	125	100	11,4	3,91
PIPEM11140	140	125	12,8	4,87
PIPEM11160	160	150	14,6	6,38
PIPEM11180	*180	150	16,4	8,07
PIPEM11200	*200	200	18,2	10
PIPEM11225	*225	200	20,5	12,6
PIPEM11250	*250	250	22,7	15,5
PIPEM11280	*280	250	25,4	19,4
PIPEM11315	*315	300	28,6	24,6
PIPEM11355	*355	350	32,2	31,2
PIPEM11400	*400	400	36,3	40
PIPEM11450	*450	500	40,9	50,1
PIPEM11500	*500	500	45,9	61,8

All information subject to change.

Please contact us on <https://www.aliaxis.co.uk/get-in-touch> for further informations