

Pressure pipe PN6 SDR 17,6 – S 8,3

PP-H pressure pipe according to DIN 8077/8078, Beige - RAL 7032, standard length 5m PN6.

Pressure pipes for connection system by butt or socket welding.

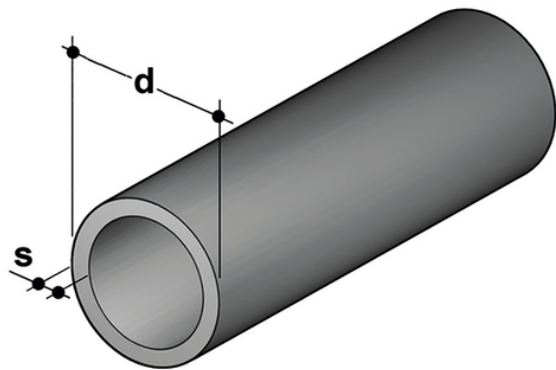
- **Size range:** d 20 ÷ d 400 (mm)
- **Nominal pressure:**
SDR 17,6 (PN6) with water at 20 °C
SDR 11 (PN10) with water at 20 °C
- **Temperature range:** 0 °C ÷ 100 °C
- **Coupling standards:** Welding: EN ISO 15494 Can be coupled to pipes according to EN ISO 15494
- **Reference standards:**

Construction criteria: EN ISO 15494

Test methods and requirements: EN ISO 15494

Installation criteria: EN 14728, DVS 2207-11, DVS 2208-1, UNI 11318, UNI 11397

- **Material:** PP-H, PP-R



Reference	d	DN	S (mm)	Kg/m
PIPEM17025	*25	20	1,8	0,13
PIPEM17032	*32	25	1,9	0,17
PIPEM17040	*40	32	2,3	0,27
PIPEM17050	*50	40	2,9	0,42
PIPEM17063	*63	50	3,6	0,66
PIPEM17075	*75	65	4,3	0,94
PIPEM17090	*90	80	5,1	1,33

All information subject to change.

Please contact us on <https://www.aliasis.co.uk/get-in-touch> for further informations

Pressure pipe PN6 SDR 17,6 – S 8,3

Reference	d	DN	S (mm)	Kg/m
PIPEM17110	*110	100	6,3	1,99
PIPEM17125	*125	100	7,1	2,55
PIPEM17140	*140	125	8,0	3,20
PIPEM17160	*160	150	9,1	4,17
PIPEM17180	*180	150	10,2	5,25
PIPEM17200	*200	200	11,4	6,50
PIPEM17225	*225	200	12,8	8,19
PIPEM17250	*250	250	14,2	10,1
PIPEM17280	*280	250	15,9	12,6
PIPEM17315	*315	300	17,9	16,00
PIPEM17355	*355	350	20,1	20,30
PIPEM17400	*400	400	22,7	25,70
PIPEM17450	*450	500	25,5	32,50
PIPEM17500	*500	500	28,4	40,20
PIPEM17560	*560	600	31,7	50,30
PIPEM17630	*630	600	35,7	63,70
PIPEM17710	*710	700	40,2	80,80
PIPEM17800	*800	800	45,3	103,00

All information subject to change.

Please contact us on <https://www.aliaxis.co.uk/get-in-touch> for further informations