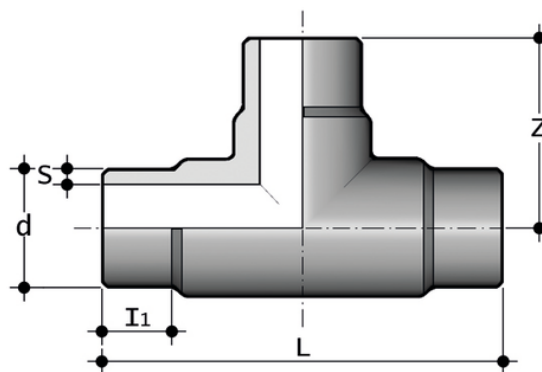


TBM PN6 SDR 17,6 - 8,3 - Fittings equal ends

90° Tee, short spigot for butt welding PN6 SDR 17,6 - S 8,3.

Series of fittings designed for conveying fluids under pressure with a weld connection system (butt welding).



Reference	d	h	L	s	Z	g
TBM17050	50	25	124	3	62	80
TBM17063	63	29	156	3,6	78	175
TBM17075	75	33	180	4	90	295
TBM17090	*90	23	200	5,1	100	480
TBM17110	*110	43	240	6,3	120	790
TBM17125	*125	26	250	7,1	125	1150
TBM17140	*140	32	280	8	140	1455
TBM17160	*160	40	320	9,1	160	2170
TBM17180	*180	73	390	10,2	195	3315
TBM17200	*200	64	430	11,4	215	4600
TBM17225	*225	72	490	12,8	245	6530
TBM17250	*250	86	550	14,2	275	8145
TBM17280	*280	105	620	15,9	310	13000
TBM17315	*315	111	700	17,9	350	18375
TBM17355	*355	103	690	20,1	345	21900
TBM17400	*400	105	734	22,7	367	26300
TBM17450	*450	138	838	25,5	419	42715
TBM17500	*500	165	954	28,3	477	59500

All information subject to change.

Please contact us on <https://www.aliaxis.co.uk/get-in-touch> for further informations