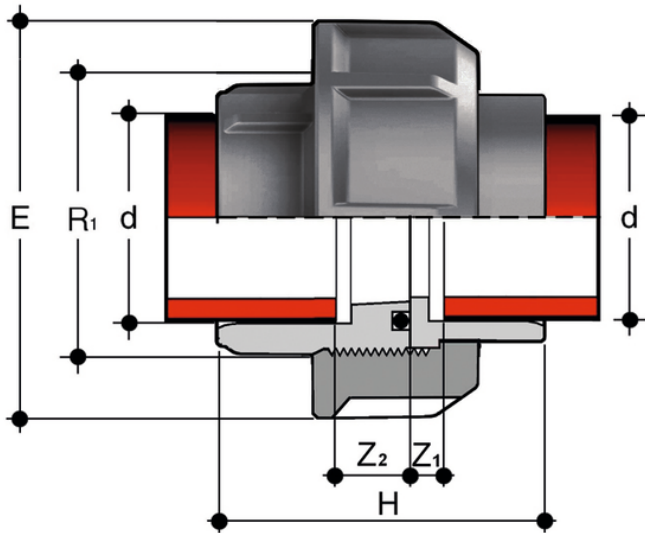


BIGM - Union

Union for socket welding with O-Ring in EPDM or FKM.

Series of fittings designed for conveying fluids under pressure with a hot weld connection system (socket welding).



EPDM

Reference	d	R ₁	PN	E	H	Z ₁	Z ₂	g
BIGM020E	20	1"	10	47	45,5	12	5,5	34
BIGM025E	25	1"1/4	10	58	49,5	12	5,5	59
BIGM032E	32	1"1/2	10	65	53,5	12	5,5	73
BIGM040E	40	2"	10	78	59,5	14	5,5	115
BIGM050E	50	2"1/4	10	85	67,5	16	5,5	146
BIGM063E	63	2"3/4	10	103	79,5	20	5,5	249

FKM

Reference	d	R ₁	PN	E	H	Z ₁	Z ₂	g
BIGM020F	20	1"	10	47	45,5	12	5,5	34
BIGM025F	25	1"1/4	10	58	49,5	12	5,5	59
BIGM	32	1"1/2	10	65	53,5	12	5,5	73
BIGM040F	40	2"	10	78	59,5	14	5,5	115
BIGM050F	50	2"1/4	10	85	67,5	16	5,5	146
BIGM063F	63	2"3/4	10	103	79,5	20	5,5	249

All information subject to change.

Please contact us on <https://www.aliaxis.co.uk/get-in-touch> for further informations