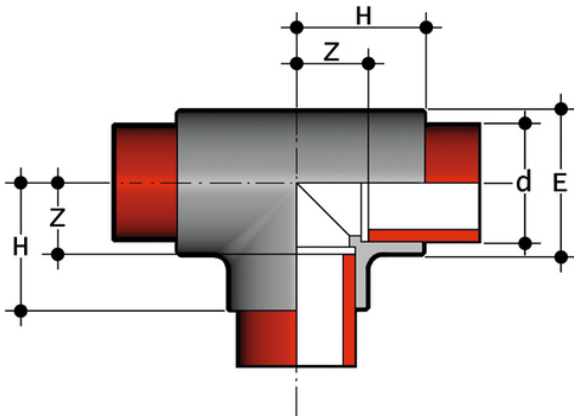


TIM - 90° Tee

90° Tee for socket welding.

Series of fittings designed for conveying fluids under pressure with a hot weld connection system (socket welding).

- **Size range:** d 20 ÷ d 110 (mm)
- **Nominal pressure:** PN 10 with water at 20° C
- **Temperature range:** 0 °C ÷ 100 °C
- **Coupling standards:**
 - *Welding:* EN ISO 15494. Can be coupled to pipes according to EN ISO 15494
 - *Flanging system:* ISO 7005-1, EN 1092-1, EN ISO 15494, ANSI B16.5 cl.150
- **Reference standards:**
 - *Construction criteria:* EN ISO 15494
 - *Test methods and requirements:* EN ISO 15494
 - *Installation criteria:* DVS 2202-1, DVS 2207-11, DVS 2208-1, UNI 11318
- **Fitting material:** PP-H
- **Seal material:** EPDM, FKM



Reference	d	DN	PN	E	H	Z	g
TIM020	20	15	10	28	28	13	19
TIM025	25	20	10	34	32	16	30
TIM032	32	25	10	42	37	19	47
TIM040	40	32	10	52	43	23	80
TIM050	50	40	10	64	52	29	145
TIM063	63	50	10	80	63	35	250
TIM075	75	65	10	93	71	40	370
TIM090	90	80	10	111	82	46	560
TIM110	110	100	10	135	100	58	990

All information subject to change.

Please contact us on <https://www.aliasis.co.uk/get-in-touch> for further informations