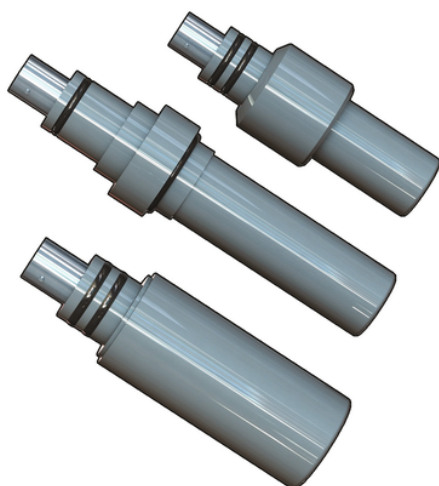


Specific data for pH-ORP.600

C-PVC body flat surface electrode



Reference	Body	Materiale/tipo di giunzione	Reference solution	Detection surface	O-ring	Connection	Max working pressure at operating temperature
ORP650CD	PVC-C	HDPE poroso/ D.J.	KCl 3,5 M	platino	FKM	Twist-Lock (BNC)	6,7 bar a 75 °C\$(100 psi a 170 °F)
ORP650CDDA	PVC-C	HDPE poroso/ D.J.	KCl 3,5 M	platino	FKM	Twist-Lock (BNC)	6,7 bar a 75 °C\$(100 psi a 170 °F)
ORP655CD	PVC-C	HDPE poroso/ D.J.	KCl 3,5 M	platino	FKM	Twist-Lock (BNC)	6,7 bar a 75 °C\$(100 psi a 170 °F)
ORP660CD	PVC-C	HDPE poroso/ D.J.	KCl 3,5 M	platino	FKM	Twist-Lock (BNC)	6,7 bar a 75 °C\$(100 psi a 170 °F)
ORP660CDDA	PVC-C	HDPE poroso/ D.J.	KCl 3,5 M	platino	FKM	Twist-Lock (BNC)	6,7 bar a 75 °C\$(100 psi a 170 °F)
PH650CD	PVC-C	HDPE poroso/ D.J.	KCl 3,5 M	membrana in vetro di pH piatto	FKM	Twist-Lock (BNC)	6,7 bar a 75 °C\$(100 psi a 170 °F)
PH650CDDA	PVC-C	HDPE poroso/ D.J.	KCl 3,5 M	membrana in vetro di pH piatto	FKM	Twist-Lock (BNC)	6,7 bar a 75 °C\$(100 psi a 170 °F)
PH650CDHF	PVC-C	HDPE poroso/ D.J.	KCl 3,5 M	membrana in vetro di pH piatto	FKM	Twist-Lock (BNC)	6,7 bar a 75 °C\$(100 psi a 170 °F)
PH650CDLC	PVC-C	HDPE poroso/ D.J.	KCl 0,1 M	membrana in vetro di pH piatto	FKM	Twist-Lock (BNC)	6,7 bar a 75 °C\$(100 psi a 170 °F)
PH655CD	PVC-C	HDPE poroso/ D.J.	KCl 3,5 M	membrana in vetro di pH piatto	FKM	Twist-Lock (BNC)	6,7 bar a 75 °C\$(100 psi a 170 °F)
PH655CDHF	PVC-C	HDPE poroso/ D.J.	KCl 3,5 M	membrana in vetro di pH piatto	FKM	Twist-Lock (BNC)	6,7 bar a 75 °C\$(100 psi a 170 °F)

All information subject to change.

Please contact us on <https://www.aliaxis.co.uk/get-in-touch> for further informations

Specific data for pH-ORP.600

Reference	Body	Materiale/tipo di giunzione	Reference solution	Detection surface	O-ring	Connection	Max working pressure at operating temperature
PH655CDLC	PVC-C	HDPE poroso/ D.J.	KCl 0,1 M	membrana in vetro di pH piatto	FKM	Twist-Lock (BNC)	6,7 bar a 75 °C\$(100 psi a 170 °F)
PH660CD	PVC-C	HDPE poroso/ D.J.	KCl 3,5 M	membrana in vetro di pH piatto	FKM	Twist-Lock (BNC)	6,7 bar a 75 °C\$(100 psi a 170 °F)
PH660CDDA	PVC-C	HDPE poroso/ D.J.	KCl 3,5 M	membrana in vetro di pH piatto	FKM	Twist-Lock (BNC)	6,7 bar a 75 °C\$(100 psi a 170 °F)
PH660CDHF	PVC-C	HDPE poroso/ D.J.	KCl 3,5 M	membrana in vetro di pH piatto	FKM	Twist-Lock (BNC)	6,7 bar a 75 °C\$(100 psi a 170 °F)
PH660CDLC	PVC-C	HDPE poroso/ D.J.	KCl 0,1 M	membrana in vetro di pH piatto	FKM	Twist-Lock (BNC)	6,7 bar a 75 °C\$(100 psi a 170 °F)

All information subject to change.

Please contact us on <https://www.aliasis.co.uk/get-in-touch> for further informations