

ORP6XX CD

C-PVC body flat surface electrode

C-PVC double junction Flat surface electrodes

This is the rugged version of the traditional flat electrodes with an improved selfcleaning effect. Installation and maintenance are easy due to the quick disconnect BNC connectors. Built into the electrode's body is a sealed, gel-filled double junction reference design. This design provides an extra barrier against reference side contamination and allows the electrodes to be used in severe applications prolonging electrode life. The pH-responsive flat glass surface is placed in the center of the measuring surface and surrounded by the flat porous plastic reference junction providing an excellent sample contact. Version with amplified signal for long distance connection and metal pin to ground liquid. A wide range of installation accessories allows in line, submersion or hot tap installation

APPLICATIONS:

- Water & Wastewater treatment
- Pre-chlorination & de-chlorination
- Neutralization systems
- Water quality monitoring
- Ozone treatment
- Coolingtowers
- Boiler systems
- Bleach production
- Pulp bleaching
- Aquaculture
- Fruit and vegetables washing
- Textile Dye Process

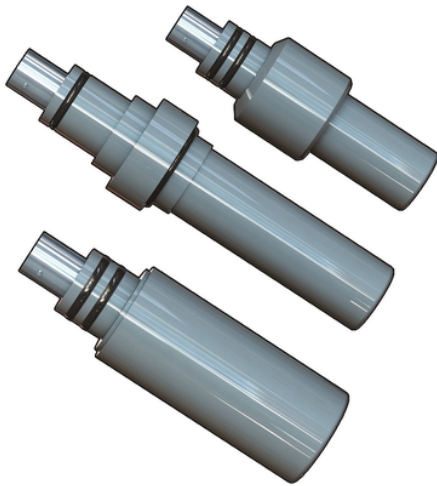
MAIN FEATURES:

- pH and ORP versions
- Flat electrodes
- Double junction technology
- Large gel reference volume
- High protection from process contamination
- Easy and quick installation system
- BNC connector
- In line, submersion or hot tap installation
- Low cost fittings
- HF option (pH) for liquids with HF (max. 2%) inside
- LC option (pH) on request for pure water (<100us >)

All information subject to change.

Please contact us on <https://www.aliaxis.co.uk/get-in-touch> for further informations

ORP6XX CD



Reference	Features	Operative Range	Cable*	Connection	Installation	Weight (gr.)
ORP650CD	-	-	CN 653 \$ CN653 TC1	Twist-lock (BNC)	MIFV20X05 \$ MIMC20X05	100
ORP650CDDA	Signal amplified	Presence of stray currents	CN 653 \$ CN653 TC1	Twist-lock (BNC)	MIFV20X05 \$ MIMC20X05	200
ORP655CD	With pressurized filling gel	-	CN 653	Twist-lock (BNC)	WT675 \$ WT675 TC1	100
ORP660CD	-	-	CN 653	Twist-lock (BNC)	EG66P \$ MK660	100
ORP660CDDA	Signal amplified	Presence of stray currents	CN 653	Twist-lock (BNC)	EG66P \$ MK660	200

All information subject to change.

Please contact us on <https://www.aliasis.co.uk/get-in-touch> for further informations