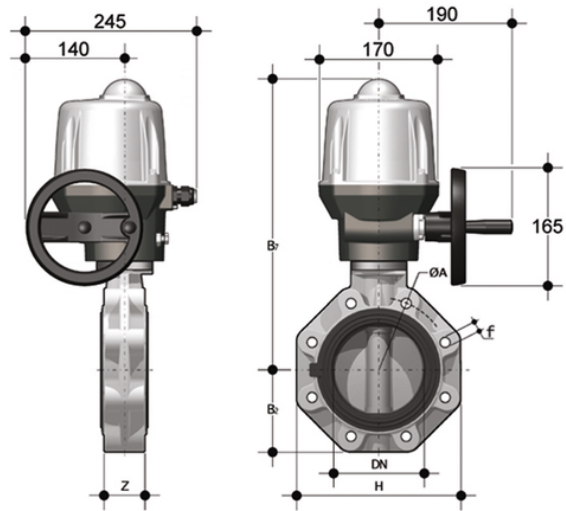


# FKOV/CE 24V AC/DC LUG ISO-DIN - Electrically actuated butterfly valve DN 125:200

LUG ISO-DIN version butterfly valve with electric 24 V AC/DC.



## EPDM

Reference	d	DN	PN	B2	H	Z	ΦA	f	U	B <sub>7</sub>	T1	T2	T3	g
FKOLVEL140E	*125/140	125	10	120	240	64	210	M16	8	425	-	-	-	9750
FKOLVEL160E	160	150	10	134	268	70	240	M20	8	438	-	-	-	10500
FKOLVEL225E	*200/225	200	10	161	323	71	295	M20	8	485	-	-	-	13200

## FKM

Reference	d	DN	PN	B2	H	Z	ΦA	f	U	B <sub>7</sub>	T1	T2	T3	g
FKOLVEL140F	*125/140	125	10	120	240	64	210	M16	8	425	-	-	-	9750
FKOLVEL160F	160	150	10	134	268	70	240	M20	8	438	-	-	-	10500
FKOLVEL225F	*200/225	200	10	161	323	71	295	M20	8	485	-	-	-	13200

All information subject to change.

Please contact us on <https://www.aliaxis.co.uk/get-in-touch> for further informations