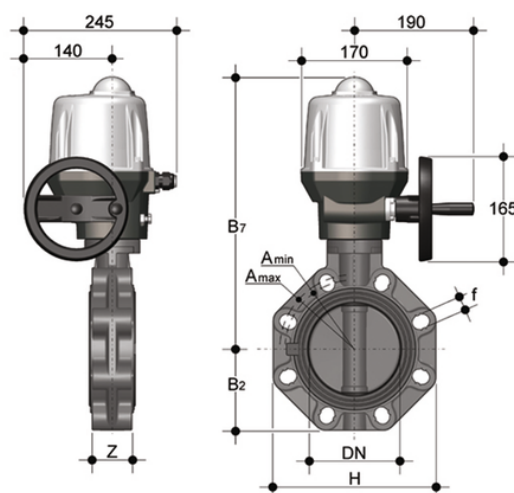


# FKOV/CE 90-240V AC - Electrically actuated butterfly valve DN 125:200

Butterfly valve with multi-volt electric actuator 90-240 V AC 50-60 Hz.



## EPDM

Reference	d	DN	PN	B2	H	Z	Amin	Amax	ΦA	f	U	B7	T1	T2	T3	g
FKOVEM140E	*125/140-5"	125	10	120	240	64	204	215	-	23	8	425	-	-	-	8150
FKOVEM160E	160-6"	150	10	134	268	70	230	242	-	23	8	438	-	-	-	8900
FKOVEM225E	**200/225-8"	200	10	161	323	71	280	298	-	23	8	485	-	-	-	11600

## FKM

Reference	d	DN	PN	B2	H	Z	Amin	Amax	ΦA	f	U	B7	T1	T2	T3	g
FKOVEM140F	*125/140-5"	125	10	120	240	64	204	215	-	23	8	425	-	-	-	8150
FKOVEM160F	160-6"	150	10	134	268	70	230	242	-	23	8	438	-	-	-	8900
FKOVEM225F	**200/225-8"	200	10	161	323	71	280	298	-	23	8	485	-	-	-	11600

All information subject to change.

Please contact us on <https://www.aliasis.co.uk/get-in-touch> for further informations