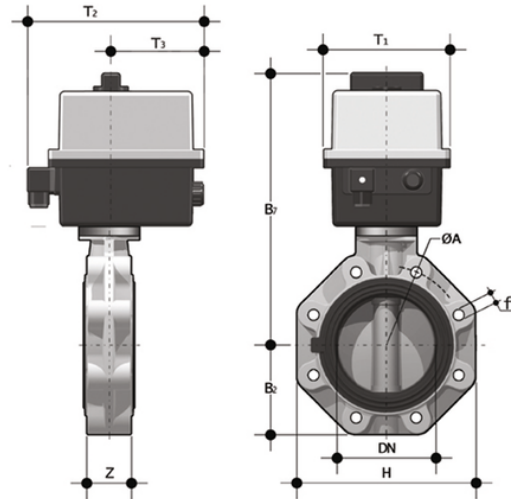


FKOM/CE 24V AC/DC LUG ISO-DIN - Electrically actuated butterfly valve DN 65:100

LUG ISO-DIN version butterfly valve with electric 24 V AC/DC



EPDM

Reference	d	DN	PN	B2	H	Z	ØA	f	U	B7	T1	T2	T3	g
FKOLMEL075E	75	65	10	80	165	46	145	M16	4	266	92	189	91	2800
FKOLMEL090E	90	80	10	93	185	49	160	M16	12	308	128	204	95.5	4900
FKOLMEL110E	110	100	10	107	211	56	180	M16	8	322	128	204	95.5	5250

FKM

Reference	d	DN	PN	B2	H	Z	ØA	f	U	B7	T1	T2	T3	g
FKOLMEL075F	75	65	10	80	165	46	145	M16	4	266	92	189	91	2800
FKOLMEL090F	90	80	10	93	185	49	160	M16	12	308	128	204	95.5	4900
FKOLMEL110F	110	100	10	107	211	56	180	M16	8	322	128	204	95.5	5250

All information subject to change.

Please contact us on <https://www.aliaxis.co.uk/get-in-touch> for further informations