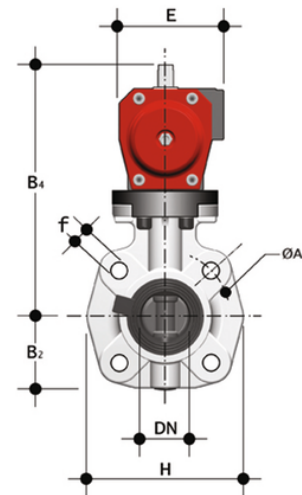
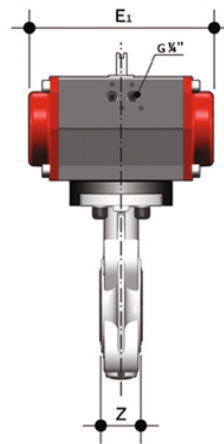


# FKOF/CP NC LUG ANSI - Pneumatically actuated butterfly valve DN 65

Pneumatically actuated butterfly valve ANSI 150 Lug version, Normally Closed.



Reference	d	DN	PN	B2	H	Z	ΦA	f	U	B4	E	E1	g
FKOALFNC212F	2"1/2	65	10	80	165	46	139,7	5/8"	4	239	94	210	4900

All information subject to change.

Please contact us on <https://www.aliaxis.co.uk/get-in-touch> for further informations