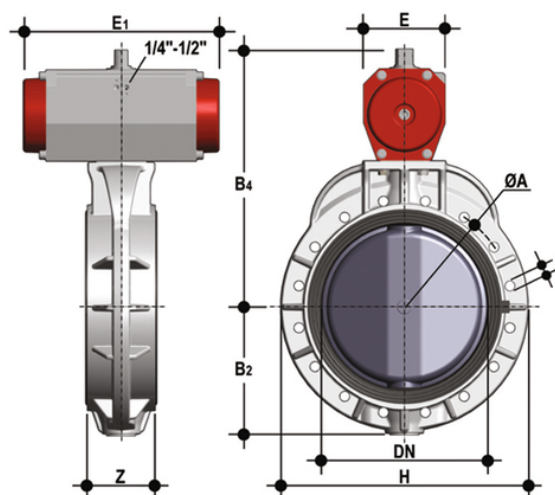


FKOM/CP DA – Pneumatically actuated butterfly valve DN 350:400

Pneumatically actuated butterfly valve, Double Acting.



EPDM

Reference	d	DN	PN	B2	H	Z	Amin	Amax	ΦA	f	U	B4	E	E1	g
FKOMDA355E	355	*350	7	280	530	129	-	-	460	22	16	550	196	474	53815
FKOMDA400E	400	*400	6	306	594	169	-	-	515	26	16	570	196	474	60810
FKOAMDA814E	14"	**350	7	280	530	129	-	-	476	28.5	12	550	196	474	53815
FKOAMDA816E	16"	**400	6	306	594	169	-	-	540	28.5	16	570	196	474	60810

FKM

Reference	d	DN	PN	B2	H	Z	Amin	Amax	ΦA	f	U	B4	E	E1	g
FKOMDA355F	355	*350	7	280	530	129	-	-	460	22	16	550	196	474	53815
FKOMDA400F	400	*400	6	306	594	169	-	-	515	26	16	570	196	474	60810
FKOAMDA814F	14"	**350	7	280	530	129	-	-	476	28.5	12	550	196	474	53815
FKOAMDA816F	16"	**400	6	306	594	169	-	-	540	28.5	16	570	196	474	60810

All information subject to change.

Please contact us on <https://www.aliaxis.co.uk/get-in-touch> for further informations