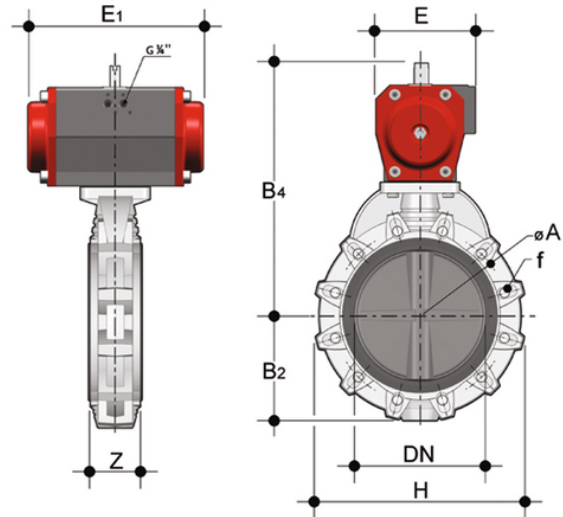
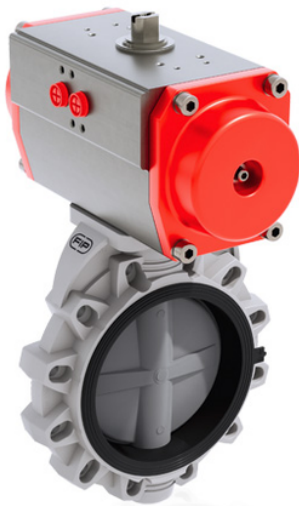


FKOC/CP DA – Pneumatically actuated butterfly valve DN 250:300

Pneumatically actuated butterfly valve, Double Acting.



EPDM

Reference	d	DN	PN	B2	H	Z	Amin	Amax	ΦA	f	U	B ₄	E
FKOCDA280E	250/280	*250	10	210	405	114	-	-	350	22	12	453	163
FKOCDA315E	315	*300	8	245	475	114	-	-	400	22	12	510	163
FKOACDA810E	10"	**250	10	210	405	114	-	-	362	25.4	12	453	163
FKOACDA812E	12"	**300	8	245	475	114	-	-	432	25.4	12	510	163

FKM

Reference	d	DN	PN	B2	H	Z	Amin	Amax	ΦA	f	U	B ₄	E
FKOCDA280F	250/280	*250	10	210	405	114	-	-	350	22	12	453	163
FKOCDA315F	315	*300	8	245	475	114	-	-	400	22	12	510	163
FKOACDA810F	10"	**250	10	210	405	114	-	-	362	25.4	12	453	163
FKOACDA812F	12"	**300	8	245	475	114	-	-	432	25.4	12	510	163

All information subject to change.

Please contact us on <https://www.aliaxis.co.uk/get-in-touch> for further informations