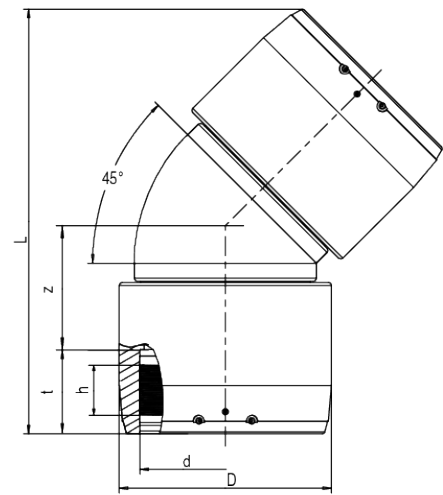
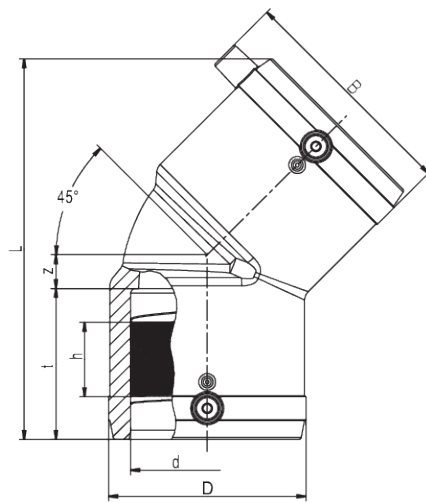


# W45 SDR 11

## Elbow 45°, SDR 11

Elbow W45 SDR 11

- Gas, water and H<sub>2</sub>
- Working pressure: MOP (gas) 10 bar, PFA (water) 16 bar
- Material: PE 100-RC
- Angle 45 degrees
- Safety technology
- DVGW test mark: DV-8601AU2248, DV-8606AU2249 and DV-8611AU2250
- FM Approvals Class: 1613 (d 63 - d 225)



PE 100-RC SDR 11

Maximum permissible working pressure 16 bar (water) / 10 bar (gas)



Reference	Diameter	SDR range	B	D	h	L	t	z	Weight [kg]	BX	Pallet quantity
616687	25	11	48	35	17	89	38	7	0,050	150	2400
612092	32	11	60	43	21	102	44	8	0,070	50	1600
612094	40	11	70	54	29	120	49	11	0,120	30	960
612096	50	11 - 17,6	80	66	32	136	54	13	0,180	20	640
612098	63	11 - 17,6	95	82	34	158	62	14	0,290	10	320
612100	75	11 - 17,6	111	96	38	198	70	29	0,520	30	252
612102	90	11 - 17,6	128	115	45	232	79	35	0,810	18	144
612104	110	11 - 17,6	150	138	50	265	85	41	1,320	10	80
612106	125	11 - 17,6	167	157	44	279	87	46	1,800	10	80
615275	160	11 - 17,6	210	207	44	377	92	88	4,280	4	32
615687	180	11 - 17,6	229	228	65	382	97	83	4,600	3	24
616264	200	11 - 17,6	256	254	54	415	106	87	6,590	2	18
615688	225	11 - 17,6	281	280	66	450	112	98	8,300	1	8
616404	250	11 - 17,6	-	310	80	621	128	176	17,300	1	6

# W45 SDR 11

## Elbow 45°, SDR 11

Reference	Diameter	SDR range	B	D	h	L	t	z	Weight [kg]	BX	Pallet quantity
616405	280	11 - 17,6	-	350	84	702	139	205	25,600	1	4
616406	315	11 - 17,6	-	396	80	755	150	215	35,270	1	2

# W45 SDR 11

## Elbow 45°, SDR 11

### Areas of Application

The FRIALEN-Elbow W45° is used for all changes of direction in HD-PE pipes.

FRIALEN safety fittings can be fused with SDR11 – SDR17.6 pipes. For W 45 > d 225 separate fusion zones per socket side.

Minimum wall thickness  $s_{\text{minimum}} \geq 3 \text{ mm}$ .

Other levels of SDR can be processed on request.

Please note the mandatory labels directly on the product.

DVGW test marks issued: DV-8601AU2248, DV-8606AU2249 and DV-8611AU2250

### Assembly Instructions

The fusion of the pipe ends with the FRIALEN-Elbows W45° takes place by FRIALEN-fusing – leakproof and longitudinally strong.

The pipe ends are prepared according to the general installation instructions (see Assembly Instructions for FRIALEN-Safety Fittings for house connections and distribution pipes up to d 225). This involves removing the oxide skin and cleaning the pipe ends.

### Good reasons for using the FRIALEN-Elbows W45°:

- Large coupler depth for ease of pipe guiding (no holding clamps required)
- Extra wide fusion zones
- Maximum stability through great wall thickness
- Cold zones at the front side and in the middle of the coupler
- Exposed heating coil for direct heat transmission to the pipe
- Small annular gap for build-up of optimum joining pressure in the fusion zone
- Contacts safe to touch
- Fusion indicator for visual fusion control
- Durable batch marking
- Individually wrapped for dirt protection
- Additional barcode for tracing back the fitting (Traceability-Coding)