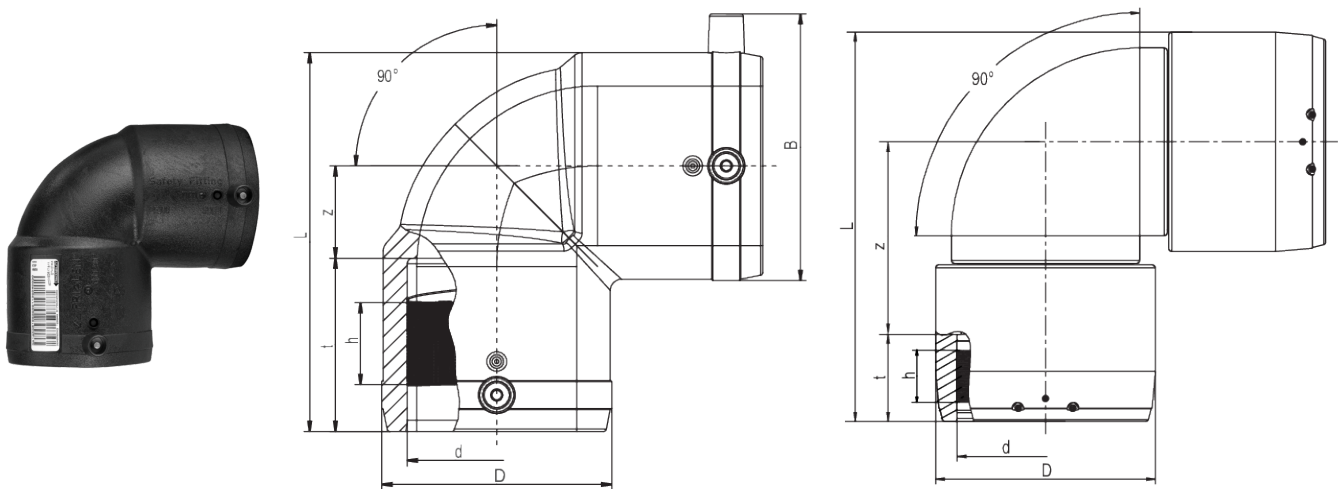


# W90 SDR 11

## Elbow 90°, SDR 11

Elbow W90 SDR 11

- Gas, water and H<sub>2</sub>
- Working pressure: MOP (gas) 10 bar, PFA (water) 16 bar
- Material: PE 100-RC
- Angle 90 degrees
- Safety technology
- DVGW test mark: DV-8601AU2248, DV-8606AU2249 and DV-8611AU2250
- FM Approvals Class: 1613 (d 63 - d 315)



PE 100-RC SDR 11

Maximum permissible working pressure 16 bar (water) / 10 bar (gas)



Reference	Diameter	SDR range	B	D	h	L	t	z	Weight [kg]	BX	Pallet quantity
616686	20	11	41	28,5	16	71	30	12	0,040	200	3200
612091	25	11	54	37	19	73	40	15	0,060	60	1920
612093	32	11	61	43	21	82	44	16	0,080	50	1600
612095	40	11	70	53	29	96	49	21	0,120	30	960
612097	50	11 - 17,6	81	66	32	113	55	26	0,190	20	640
612099	63	11 - 17,6	96	83	30	136	62	33	0,340	10	320
612101	75	11 - 17,6	111	96	37	170	70	53	0,600	30	216
612103	90	11 - 17,6	128	115	45	202	75	65	0,960	18	108
612105	110	11 - 17,6	150	138	50	234	81	84	1,520	10	80
612107	125	11 - 17,6	167	157	44	254	87	89	2,030	8	64
615276	160	11 - 17,6	210	207	44	329	92	133	4,970	3	24
615689	180	11 - 17,6	229	228	65	354	94	146	5,690	3	24
616265	200	11 - 17,6	256	254	54	392	106	159	8,160	2	16
615690	225	11 - 17,6	281	280	66	430	113	177	10,110	1	8

# W90 SDR 11

## Elbow 90°, SDR 11

Reference	Diameter	SDR range	B	D	h	L	t	z	Weight [kg]	BX	Pallet quantity
616408	250	11 - 17,6	-	310	80	534	128	251	19,100	1	6
616409	280	11 - 17,6	-	350	84	621	139	307	27,500	1	2
616410	315	11 - 17,6	-	396	80	677	150	329	41,850	1	2

# W90 SDR 11

## Elbow 90°, SDR 11

### Areas of Application

The FRIALEN-Elbow W90° is used for all changes of direction in HD-PE pipes.

FRIALEN safety fittings can be fused with pipes with SDR levels 11 to 17.6. For W 90 > d 225 separate fusion zones per socket side.

Minimum wall thickness  $s_{\text{minimum}} \geq 3 \text{ mm}$ .

Other levels of SDR can be processed on request.

Please note the mandatory labels directly on the product.

DVGW test marks issued: DV-8601AU2248, DV-8606AU2249 and DV-8611AU2250.

### Assembly Instructions

The fusion of the pipe ends with the FRIALEN-Elbows W90° takes place by FRIALEN-fusing – leakproof and longitudinally strong.

The pipe ends are prepared according to the general installation instructions (see "Assembly Instructions" for "FRIALEN-Safety Fittings for house connections and distribution pipes up to d 225"). This involves removing the oxide skin and cleaning the pipe ends.

### Good reasons for using the FRIALEN-Elbows W90°:

- Large coupler depth for ease of pipe guiding (no holding clamps required)
- Extra wide fusion zones
- Maximum stability through great wall thickness
- Cold zones at the front side and in the middle of the coupler
- Exposed heating coil for direct heat transmission to the pipe
- Small annular gap for build-up of optimum joining pressure in the fusion zone
- Contacts safe to touch
- Fusion indicator for visual fusion control
- Durable batch marking
- Individually wrapped for dirt protection
- Additional barcode for tracing back the fitting (Traceability-Coding)